

# LP-400

The high-grade LP-400 series CO<sub>2</sub> laser marking system is designed for high-quality marking and processing applications on various materials.



# Information about the laser marking system series LP-400

## Highlights

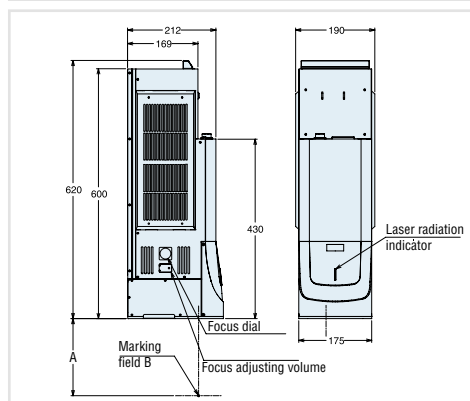
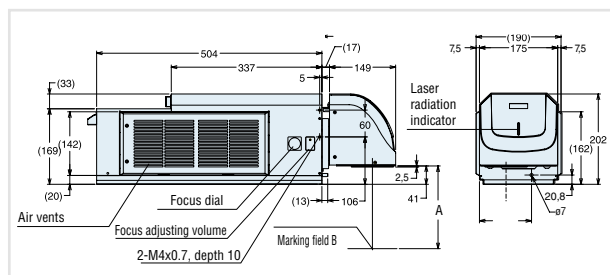


## Specifications

Model	Item	Small marking field			Standard			Large marking field		
		Standard	LP-411U-LS1-C	LP-421S9U-LS1-C	LP-431U-LS1-C	LP-410U-LS1-C	LP-420S9U-LS1-C	LP-430U-LS1-C	LP-425S9U-LS1-C	LP-435U-LS1-C
		Tower	LP-411TU-LS1-C	LP-421S9TU-LS1-C	LP-431TU-LS1-C	LP-410TU-LS1-C	LP-420S9TU-LS1-C	LP-430TU-LS1-C	LP-425S9TU-LS1-C	LP-435TU-LS1-C
Marking laser		CO2 laser $\lambda = 10.6\mu\text{m}$ (9.3 $\mu\text{m}$ LP 42xS9U), laser class 4								
Guide laser		Semiconductor $\lambda = 650\text{nm}$ , laser class 2, output class 1mW								
Output class		10W	20W	30W	10W	20W	30W	20W	30W	
Marking field		55mm x 55mm			110mm x 110mm			160mm x 160mm		
Work distance		111mm			185mm			262mm		
Focus adjustment (manually)		$\pm 2\text{mm}$			$\pm 3\text{mm}$			$\pm 4\text{mm}$		
Scan method		Galvano scanner								
Scan speed (max.)		6000mm/s			12000mm/s			12000mm/s		
Line speed (max.)		85m/min	120m/min		170m/min	240m/min		240m/min		
Workpiece positioning		Stationary and on-the-fly marking								
Power supply length		5m								
Net weight		Laser head	16kg	20kg	16kg			20kg		
		Controller	11kg	12kg	11kg			12kg		
Cooling method		Laser head, controller: forced air cooling								

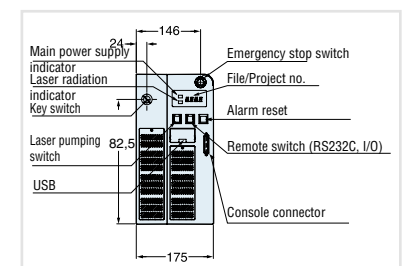
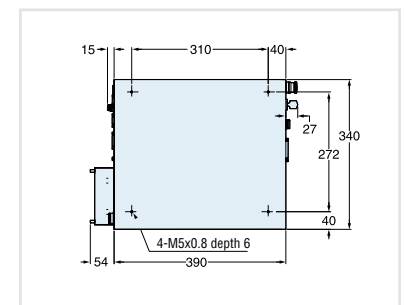
## Dimensions

### LP-400 laser head



Type	Work distance (mm)	Marking field (mm <sup>2</sup> )
LP-4X1-LS1-C	111	55 x 55
LP-4X0-LS1-C	185	110 x 110
LP-4X5-LS1-C	262	160 x 160

### LP-400 controller



\* All measurements in mm

