

PANASONIC FIRE ALARM SOLUTIONS
TECHNICAL DESCRIPTION
4480



ADDRESSABLE WALL VAD WITH ISOLATOR



DOCUMENT INFORMATION

DOCUMENT NAME:	TECHNICAL DESCRIPTION 4480
DOCUMENT NUMBER:	MEW01809
DATE OF ISSUE:	2016-09-08
REV:	5
DATE OF REVISION:	2021-05-11

Panasonic Fire & Security Europe AB
Jungmansgatan 12
SE-211 11 Malmö
Sweden
Tel: +46 (0)40 697 70 00
Internet: www.panasonic-fire-security.com

TABLE OF CONTENTS

- 1 INTRODUCTION..... 3
- 2 ABBREVIATIONS 3
- 3 GENERAL DESCRIPTION 4
 - 3.1 BASE 4
 - 3.2 LED 5
 - 3.3 SHORT CIRCUIT ISOLATOR..... 6
- 4 SET THE COM LOOP ADDRESS 7
 - 4.1 AUTO ADDRESSING 7
 - 4.2 MANUAL ADDRESSING 7
- 5 SET THE MODE 7
 - 5.1 COMPATIBILITY TABLE 7
- 6 MOUNTING..... 8
- 7 INSTALLATION AND WIRING..... 9
- 8 TECHNICAL DATA 10
- 9 APPROVALS 11

1 INTRODUCTION

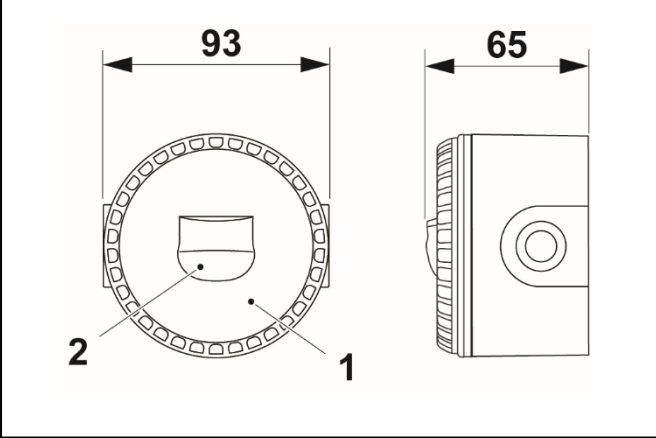
This document describes the Addressable wall VAD with isolator, type number 4480.
The document contains information about the product and instructions on how to mount and connect it.

2 ABBREVIATIONS

LED	Light Emitting Diode	
VAD	Visual Alarm Device	

3 GENERAL DESCRIPTION

Addressable VAD with siren and isolator is certified to EN 54-17, EN 54-23.
It can be used in indoor environment, type A. For example corridors, offices, toilets, and other public areas.



(Measures in mm)

- 1) Base
- 2) LED

3.1 BASE

Wall mounted.

3.2 LED

DATA

LED colour	Red		
VAD coverage - high power	5.0m x 5.0m	W-2.4-5.0 (60 m ³)	The VAD must be mounted so that the LED is placed at a maximum height of 2.4 meters.
VAD coverage - low power	2.5m x 2.5m	O (13 m ³)	Note, category O must be wall mounted so that the LED is placed at a maximum height of 2.1 meters
Flash rate selections	0,5 Hz or 1 Hz	Soft configured in EBLWin	
VAD coverage selection method	Soft configured in EBLWin		

LIGHT PATTERN

	VAD coverage		
		Hi Power	Low Power
Frequency/ Flash rate	1 Hz	100 ms ON, 900 ms OFF	50 ms ON, 950 ms OFF
	0,5 Hz	100 ms ON, 1900 ms OFF	50 ms ON, 1950 ms OFF

3.3 SHORT CIRCUIT ISOLATOR

The Addressable wall VAD with isolator, 4480, has a built-in short circuit isolator that requires no separate COM loop address. Like any other short circuit isolator, it will be given an individual sequence number when programmed in EBLWin.

The isolators have to be connected consecutively regarding sequence number 00-127, in the COM loop's A-direction.

The built-in short circuit isolator will divide the COM loop into segments. A segment is the part of a loop between two isolators or between one isolator and the c.i.e. In case of a short circuit on a COM loop, only the affected segment will be disabled, all other loop units will continue to work normally.

DATA

Parameter	Memn	Value
The maximum line voltage	V_{max}	30 V DC
The nominal line voltage	V_{nom}	24 V DC
The minimum line voltage	V_{min}	12 V DC
The maximum rated continuous current with the switch closed	$I_{C max}$	350 mA
The maximum rated switching current on short circuit conditions	$I_{S max}$	2 A
The maximum leakage current with the switch open	$I_{L max}$	1.5 mA
The maximum series impedance with the switch closed	$Z_{C max}$	90 mΩ
The maximum voltage at which the device isolates (i.e. close to open)	$V_{SO max}$	11 V DC
The minimum voltage at which the device isolates (i.e. close to open)	$V_{SO min}$	5 V DC
The maximum voltage at which the device will change from open to close.	-	N/A ¹⁾
The minimum voltage at which the device will change from open to close.	-	N/A ¹⁾

- 1) The device can change from open to close by commands from the control and indicating equipment only. This can be done at minimum to maximum line voltage, i.e. 12V DC – 30 V DC.

For more information on short circuit isolators, see the Planning instructions for EBL128 or EBL512 G3 version 2.3.x or later.

4 SET THE COM LOOP ADDRESS

4.1 AUTO ADDRESSING

The 4480 supports automatic addressing via EBLWin.

For more information, see Planning instructions for the system, version 2.4.x or later.

4.2 MANUAL ADDRESSING

Each COM loop unit has to have a unique COM loop address (001-253). Set the address with the Address Setting Tool (4414). Use the connection cable with crocodile clips to connect the tool's SA & SB terminals with the SA & SB terminals of the addressable unit.

5 SET THE MODE

Set the mode with the address setting tool (4414) according to the table below.

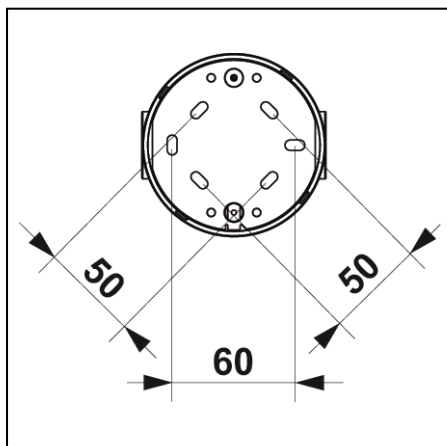
5.1 COMPATIBILITY TABLE

	Advanced mode	NORMAL mode	2330 mode	2312 mode
EBL512 G3	V ≥ 2.3	Not used	Not used	Not used
EBL128	V ≥ 2.3	Not used	Not used	Not used
EBL512	Not used	Not used	Not used	Not used

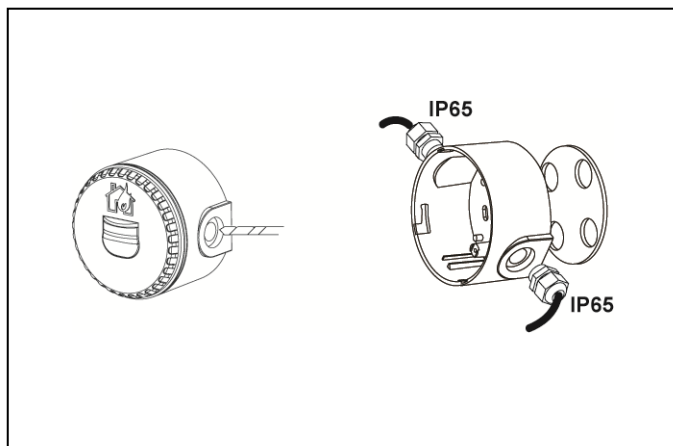
(V = Software version)

6 MOUNTING

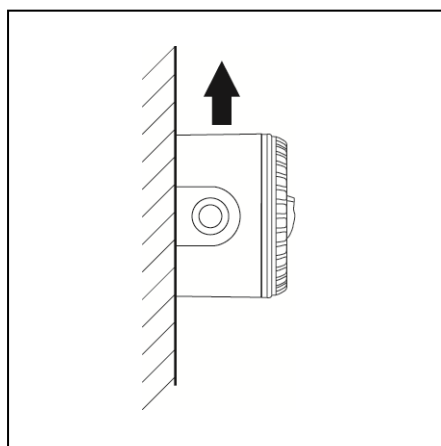
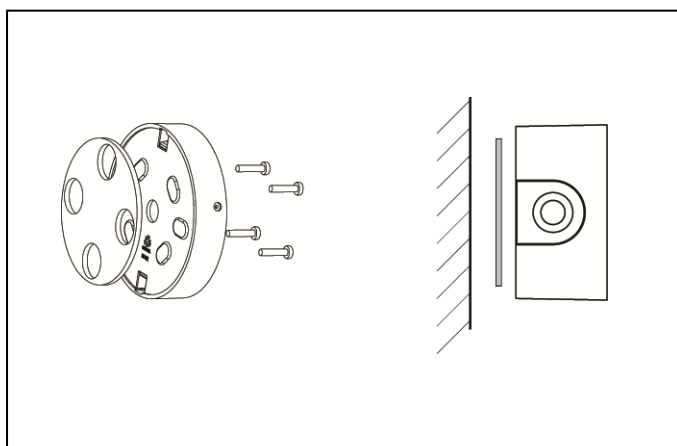
The VAD must be mounted at a maximum height of 2.4 meters, on the wall. Drilling diameter must be adjusted to the diameter of the cable glands. The cable glands must be compatible with declared cable size.



(Measures in mm)

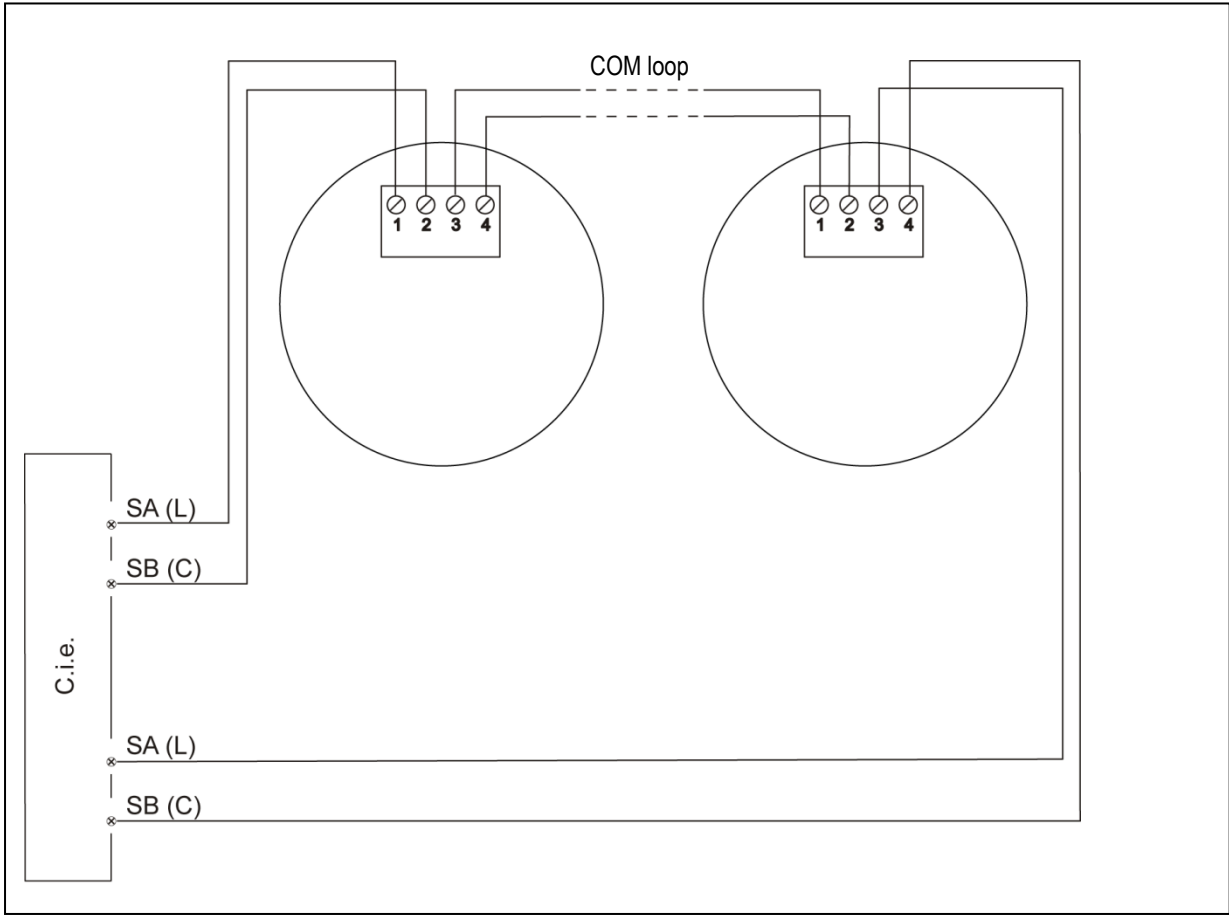


Place a gasket between the unit and the wall. Screws are not supplied.



7 INSTALLATION AND WIRING

NOTE! Screen wire termination is not provided.



DATA

Wire size (Min)	Ø 0.60 mm (0.3 mm ²)
Wire size (Max)	Ø 1.40 mm (1.5 mm ²)

8 TECHNICAL DATA

NOTE! All current consumptions are valid by nominal voltage and by 25 °C.

Voltage:	
Allowed	12-30V DC
Normal	24V DC
Current:	
Quiescent	2.5 mA
Active:	
1Hz flash, 7.5m x 7.5m	65 mA
0.5 Hz, 7.5m x 7.5m	34 mA
1Hz flash, 2.5m x 2.5m	35 mA
0.5Hz flash, 2.5m x 2.5m	23 mA
Power consumption	0,03-2,0 W
Address range	1-253
Address setting	With address setting tool
Short circuit isolator	Built-in
Internal battery	No
Material	FR ABS and polycarbonate
Ambient temperature:	
Operating	-10 to +55 °C
Storage	-25 to +70 °C
Ambient humidity	Maximum 95, % RH (Non condensing)
Ingress protection rating	IP 21 C
Size:	
Ø x H	93 x 65 mm
Weight	100 g
Colour	Red or white
Synchronized	No

9 APPROVALS

Applicable directive / Approval	Applicable standards	Notified body
CPR	EN54-17 (Isolator) EN54-23 (VAD)	VdS No. 0786-CPR-21531
VdS	EN54-17 EN54-23 VdS2344 VdS2504	VdS No. G217003
EMC	EN61000-6-3 (Emission) EN50130-4 (Immunity)	Self declaration VdS (Certification)
RoHS	EN50581	Self declaration

