

PANASONIC FIRE ALARM SOLUTIONS  
**TECHNICAL DESCRIPTION**  
**2218**



EXTERNAL INDICATOR (LED)



## DOCUMENT INFORMATION

DOCUMENT NAME:	TECHNICAL DESCRIPTION 2218
DOCUMENT NUMBER:	MEW01957
DATE OF ISSUE:	2016-01-11
REV:	2
DATE OF REVISION:	2020-02-17

Panasonic Fire & Security Europe AB  
Jungmansgatan 12  
SE-211 11 Malmö  
Sweden  
Tel: +46 (0)40 697 70 00  
Internet: [www.panasonic-fire-security.com](http://www.panasonic-fire-security.com)

## TABLE OF CONTENTS

1. INTRODUCTION.....	3
2. ABBREVIATIONS .....	3
3. GENERAL DESCRIPTION.....	4
3.1. INDICATOR .....	4
3.2. LED.....	4
4. MOUNTING.....	5
5. INSTALLATION AND WIRING .....	6
6. TECHNICAL DATA .....	7
7. APPROVALS .....	8

## 1. INTRODUCTION

This document describes the external indicator, type number 2218.

The document contains information about the product and instructions on how to mount and connect it.

## 2. ABBREVIATIONS

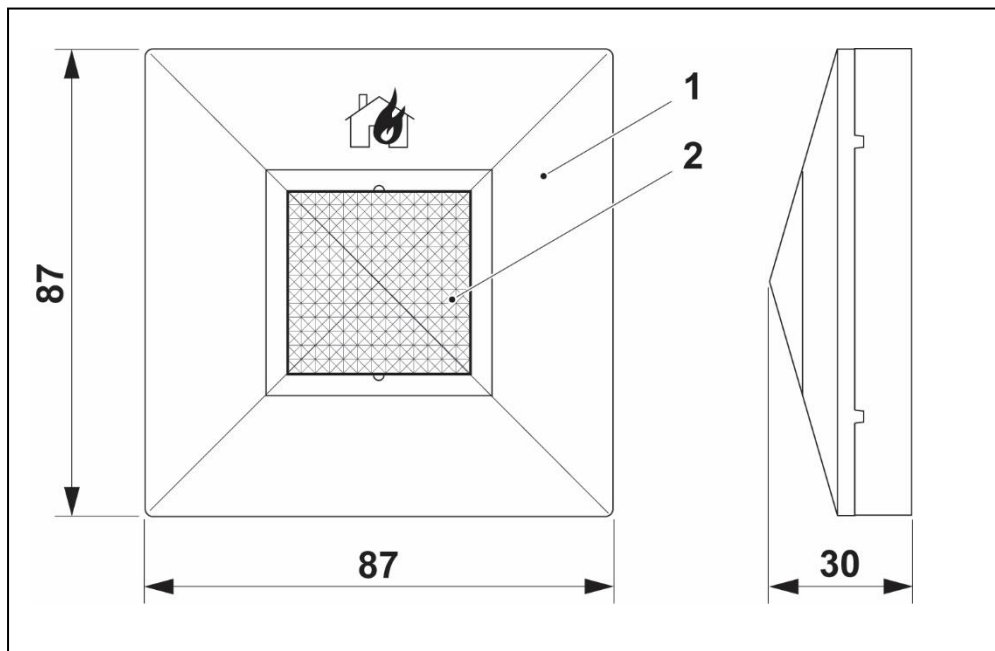
C.i.e.	Control and indicating equipment
LED	Light Emitting Diode

### 3. GENERAL DESCRIPTION

The external indicator (LED) is connected to a detector base. The indicator can be used when a detector is placed out of view or hidden.

The external indicator (LED) can be connected to all types of detectors/bases with an external LED output.

The unit is intended for indoor use and in dry premises.



(Measures in mm)

- 1) Indicator
- 2) LED

#### 3.1. INDICATOR

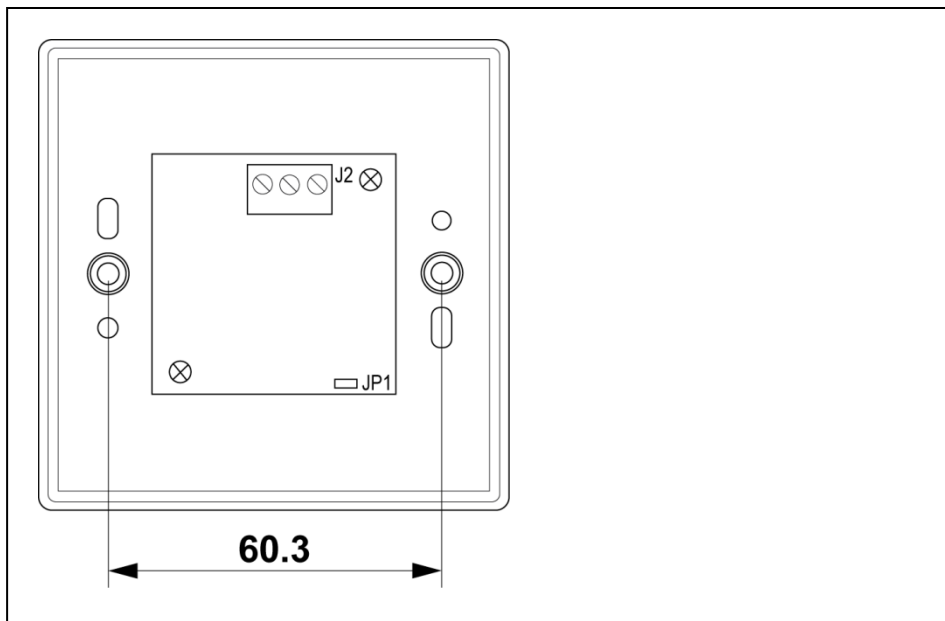
Wall mounted.

#### 3.2. LED

The LED is lit at the same time as the LED in the detector/base it is connected to. The LED is lit steady or flashing, depending on which detector it is connected to, when activated.

## 4. MOUNTING

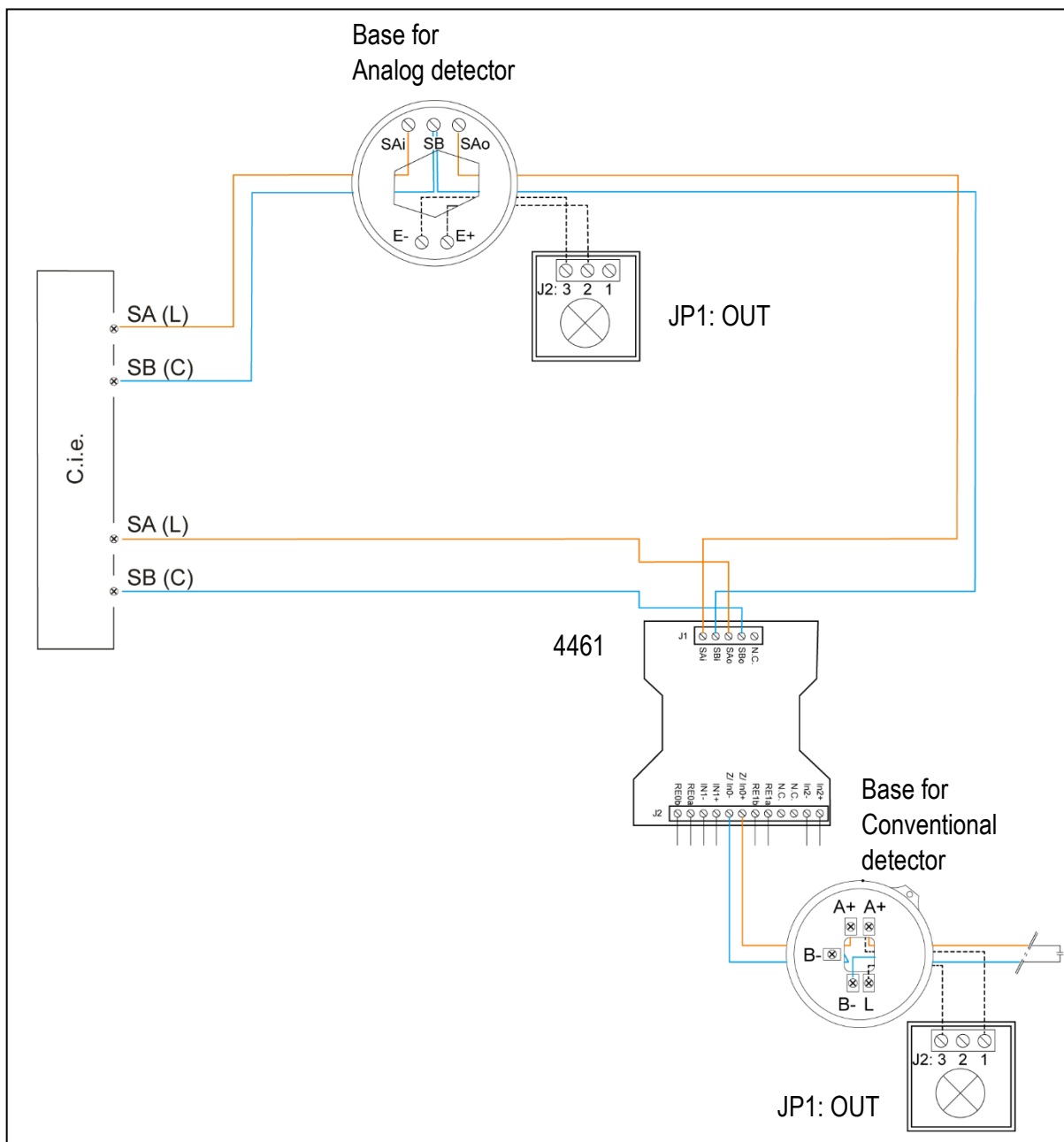
The external indicator (LED) must be mounted on the wall. Screws are not supplied.



(Measures in mm)

## 5. INSTALLATION AND WIRING

**NOTE!** Screen wire termination is not provided.



J2:1 (+5 to +35 V DC) for conventional detectors/bases

J2:2 (+;  $\leq 25$  mA) for analog detectors/bases

J2:3 (0V)

JP1: Link, always open

## 6. TECHNICAL DATA

**NOTE!** All current consumptions are valid by nominal voltage and by 25 °C.

Voltage: Allowed Normal	5-35 V DC 24V DC
Current: J2:1 & 3 J2:2 & 3	6.7 mA Maximum 25 mA
Address range	N/A
Address setting	N/A
Short circuit isolator	No
Internal battery	No
Material	PC/ABS, Lens PMMA
Ambient temperature: Operating Storage	-10 to +60 °C -10 to +60 °C
Ambient humidity	Maximum 90, % RH (Non condensing)
Ingress protection rating	IP 42
Size: Ø x H	87 x 87 x 30 mm
Weight	62 g
Colour	White



## 7. APPROVALS

Applicable directive	Applicable standards	Notified body
EMC	EN61000-6-3 (Emission) EN50130-4 (Immunity)	Declaration made by manufacturer (Eaton Electrical Products Ltd.)
RoHS	EN50581	

