



4433

**ADDRESSABLE
MANUAL CALL POINT
WITH ISOLATOR**

Fire alarm solutions
technical description

Table of Contents

1.	INTRODUCTION	3
2.	ABBREVIATIONS	4
3.	GENERAL DESCRIPTION	5
3.1.	PROTECTIVE COVER	5
3.2.	LED	5
4.	SET THE COM LOOP ADDRESS	6
4.1.	AUTO ADDRESSING	6
4.2.	MANUAL ADDRESSING	6
5.	SET THE MODE	6
5.1.	COMPATIBILITY TABLE	6
6.	ROUTINE TESTING	7
7.	REPLACE THE GLASS ELEMENT	7
8.	MOUNTING	8
9.	INSTALLATION AND WIRING	9
10.	TECHNICAL DATA	10
11.	APPROVALS	11

1. INTRODUCTION

This document describes the addressable manual call point with isolator, type number 4433.

The document contains information about the product and instructions on how to mount and connect it.

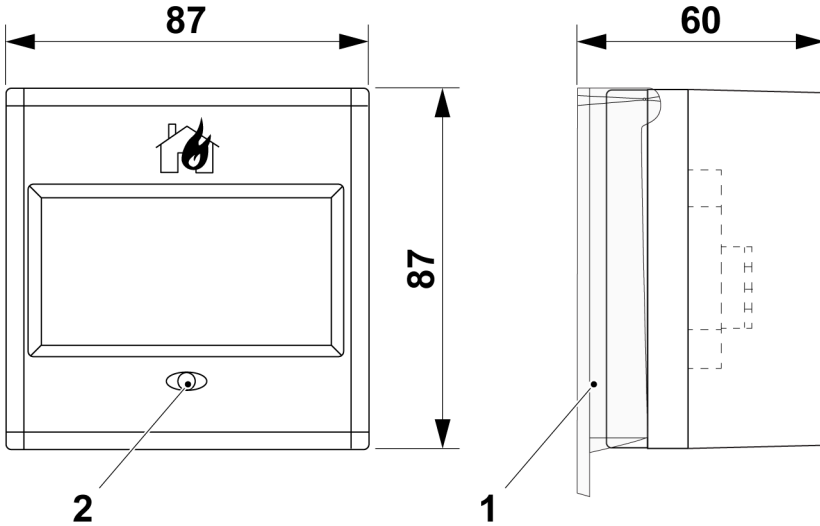
2. ABBREVIATIONS

CIE	Control and indicating equipment	= control unit
LED	Light Emitting Diode	
IP	Ingress Protection rating	

3. GENERAL DESCRIPTION

The addressable manual call point with isolator is used for immediate manual actuation of a fire alarm. To operate the manual call point the glass element is pressed until it is broken. This will generate a fire alarm in the CIE.

It is intended for indoor use and in dry premises.



(Measure in mm)

1. Protective cover
2. LED

3.1. PROTECTIVE COVER

To protect the manual call point against accidental operation, a transparent polycarbonate flap has to be lifted for access to the glass element.

3.2. LED

The manual call point has one built-in LED. The LED will flash to indicate communication with the CIE.

The flashing LED can be disabled via EBLWin. The LED is then switched off until the manual call point is operated.

A steady light indicate that the manual call point has activated the fire alarm.

4. SET THE COM LOOP ADDRESS

4.1. AUTO ADDRESSING

The 4433 supports automatic addressing via EBLWin.

For more information, see Planning instructions for the system, version 2.4.x or later.

4.2. MANUAL ADDRESSING

Each COM loop unit has to have a unique COM loop address (001-253).

Set the address with the Address Setting Tool (4414). Use the connection cable with crocodile clips to connect the flying leads with the tool's SA & SB terminals.

The COM loop address and mode settings have to be done before the unit is connected to the COM loop.

5. SET THE MODE

Set the mode with the Address setting tool (4414) according to the table below.

5.1. COMPATIBILITY TABLE

	Advanced mode	NORMAL mode	2330 mode	2312 mode
EBL512 G3	Not used	V ≥ 2.0	V ≥ 1.0	V ≥ 1.1
EBLOne	Not used	V. ≥ 3.3	Not used	Not used
EBL128	Not used	V ≥ 2.0	V ≥ 1.0	Not used
EBL512	Not used	Not used	All versions	All versions
Configured as:	-	-	3333	2333
Isolator in use:	-	Yes	No	No

6. ROUTINE TESTING

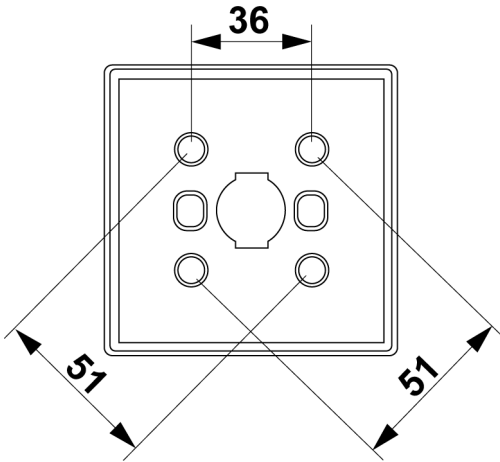
- a) Insert the test key into the hole in the front cover. The glass position will change, indicating that the manual call point is operated.
- b) Wait until the LED is turned on.
- c) Pull out the test key and the glass position will return to normal.
- d) Reset the fire alarm in the CIE. The LED will be turned off in the manual call point.

7. REPLACE THE GLASS ELEMENT

- e) Make sure the manual call point is disabled.
- f) Remove the front cover by using the test key. Press the two pins on the key into the corresponding holes in the bottom of the front cover to separate the front cover from the black part.
- g) Lift and remove the front cover
- h) Remove the broken glass element.
- i) Place the top edge of the replacement glass element against the micro switch plunger. Push the glass element upwards until it is correct position.
- j) Re-enable the manual call point.
- k) Perform a routine test, see [6. ROUTINE TESTING](#) on page 7.

8. MOUNTING

The addressable manual call point must be mounted on the wall. Screws are not supplied.

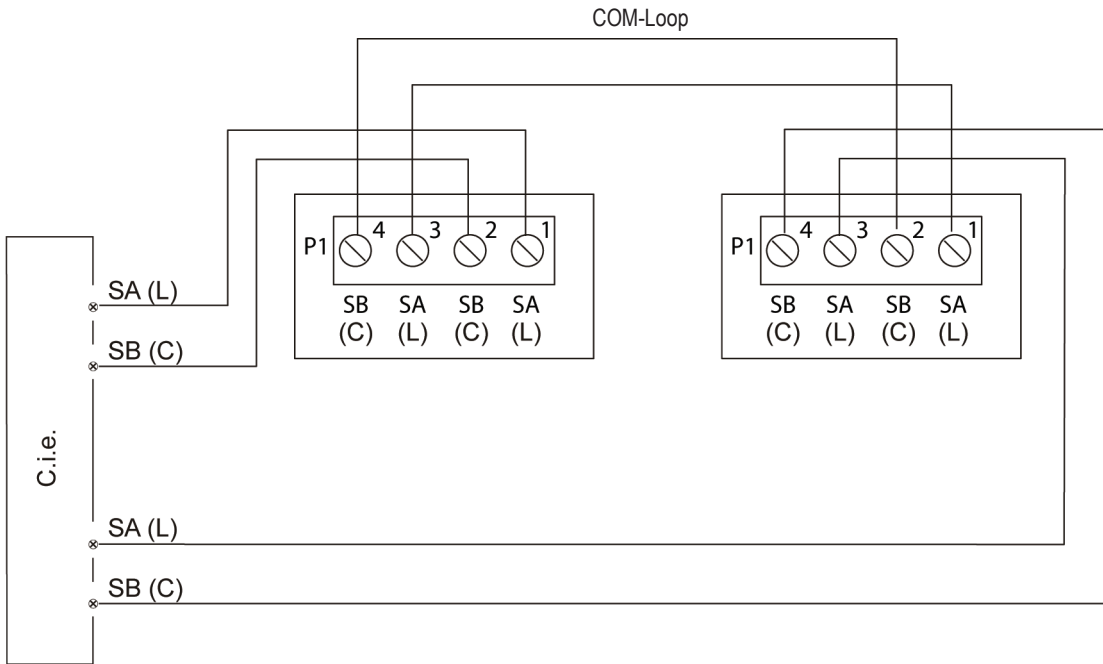


(Measure in mm)

- a) Mount the red back box on the wall. There is provision for rear cable entry. In case of open wiring (surface mounted back box), cable holes can be drilled into the top or bottom of the back box (max diameter 20 mm).
- b) Remove the front cover by using the test key. Press the two pins on the key into the corresponding holes in the bottom of the front cover to separate the front cover from the black part.
- c) Remove the glass element.
- d) Mount the black part on the back box with the supplied screws.
- e) Place the top edge of the replacement glass element against the micro switch plunger. Push the glass element upwards until it is in correct position.
- f) Put the front cover in position by applying the top edge first and then push the bottom part onto the black part.

9. INSTALLATION AND WIRING

Screen wire termination is not provided.



Wire size (Min)	Ø 0.8 mm (0.5 mm ²)
Wire size (Max)	Ø 1.6 mm (2 mm ²)

10. TECHNICAL DATA

All current consumptions are valid by nominal voltage and by 25 °C.

Voltage: Allowed Normal	12 – 30V DC 24V DC
Current: Quiescent Active	1.6 mA 2.7 mA
Address range	001-253
Address setting	With address setting tool
Short circuit isolator	Yes
Internal battery	No
Material	FR ABS and polycarbonate
Ambient temperature: Operating Storage	-10 to +55 °C -40 to +85 °C
Ambient humidity	Maximum 90 % RH (Non condensing)
Ingress protection rating	IP42
Size: H x W x D	87 x 87 x 60 mm
Weight	201 g
Colour	Red (ISO 3864)
Operation	Direct operation / Type A
Environment category	Indoor use

11. APPROVALS

Applicable directive/ Approval	Applicable standards	Notified body
CPR	EN54-11 EN54-17	VdS No. 0786-CPR-21235
VdS	EN54-11 EN54-17 VdS2344 VdS2504	VdS No. G213004
EMC	EN61000-6-3 (Emission) EN50130-4 (Immunity)	Self declaration VdS
RoHS	EN IEC 63000	Self declaration



DOCUMENT NAME: TECHNICAL DESCRIPTION 4433
DOCUMENT NUMBER: MEW01937 EN
DATE OF ISSUE: 2015-11-25
REV: 6
DATE OF REVISION: 2024-02-22

Panasonic Fire & Security Europe AB

Jungmansgatan 12
SE-211 11 Malmö
Sweden
Tel: +46 (0)40 697 70 00