



4383

LIGHT INDICATOR

Fire alarm solutions
technical description

Table of Contents

1.	INTRODUCTION	3
2.	ABBREVIATIONS	4
3.	GENERAL DESCRIPTION	5
4.	SET THE COM LOOP ADDRESS	6
5.	SET THE MODE	6
5.1.	COMPATIBILITY TABLE	6
6.	MOUNTING	6
7.	INSTALLATION AND WIRING	7
8.	TECHNICAL DATA	8
9.	APPROVALS	9

1. INTRODUCTION

This document describes the light indicator, type number 4383.

The document contains information about the product and instructions on how to mount and connect it.

2. ABBREVIATIONS

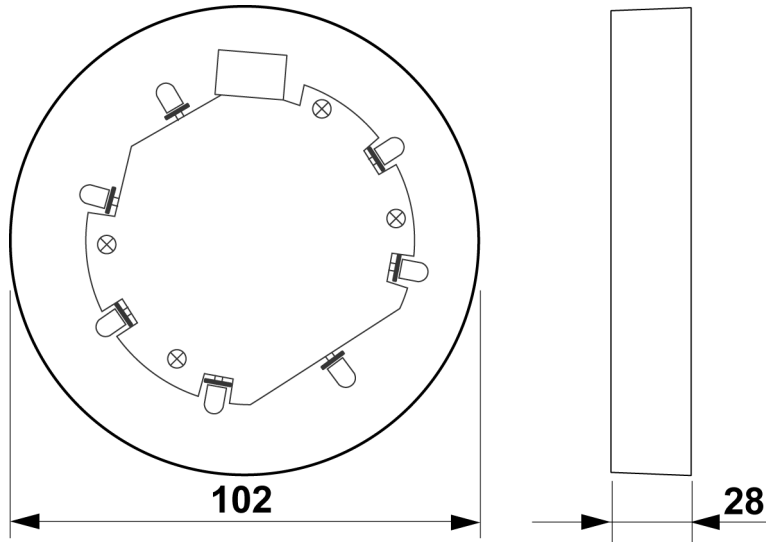
ABS	Acrylonitrile-Butadiene-Styrene
LED	Light Emitting Diode

3. GENERAL DESCRIPTION

The light indicator is used as a complement to audible alarm devices. The light is visible 360° (horizontal).

All electronics and the eight red LEDs are mounted in a transparent ABS housing.

The light indicator is intended for indoor use and in dry premises.



(Measure in mm)

4. SET THE COM LOOP ADDRESS

Each COM loop unit has to have a unique COM loop address (001-253). The address is set with the Address Setting Tool (4414).

The COM loop address and mode settings have to be done before the unit is connected to the COM loop.

The light indicator has to have a different COM loop address than the analog base.

5. SET THE MODE

5.1. COMPATIBILITY TABLE

	Advanced mode	NORMAL mode	2330 mode	2312 mode
EBL512 G3	Not used	All versions	Not used	Not used
EBL128	Not used	All versions	Not used	Not used
EBL512	Not used	All versions	Not used	Not used
EBLOne	Not used	All versions	Not used	Not used
United system	Not used	All versions *	Not used	Not used

* Configured as 4380 in United system

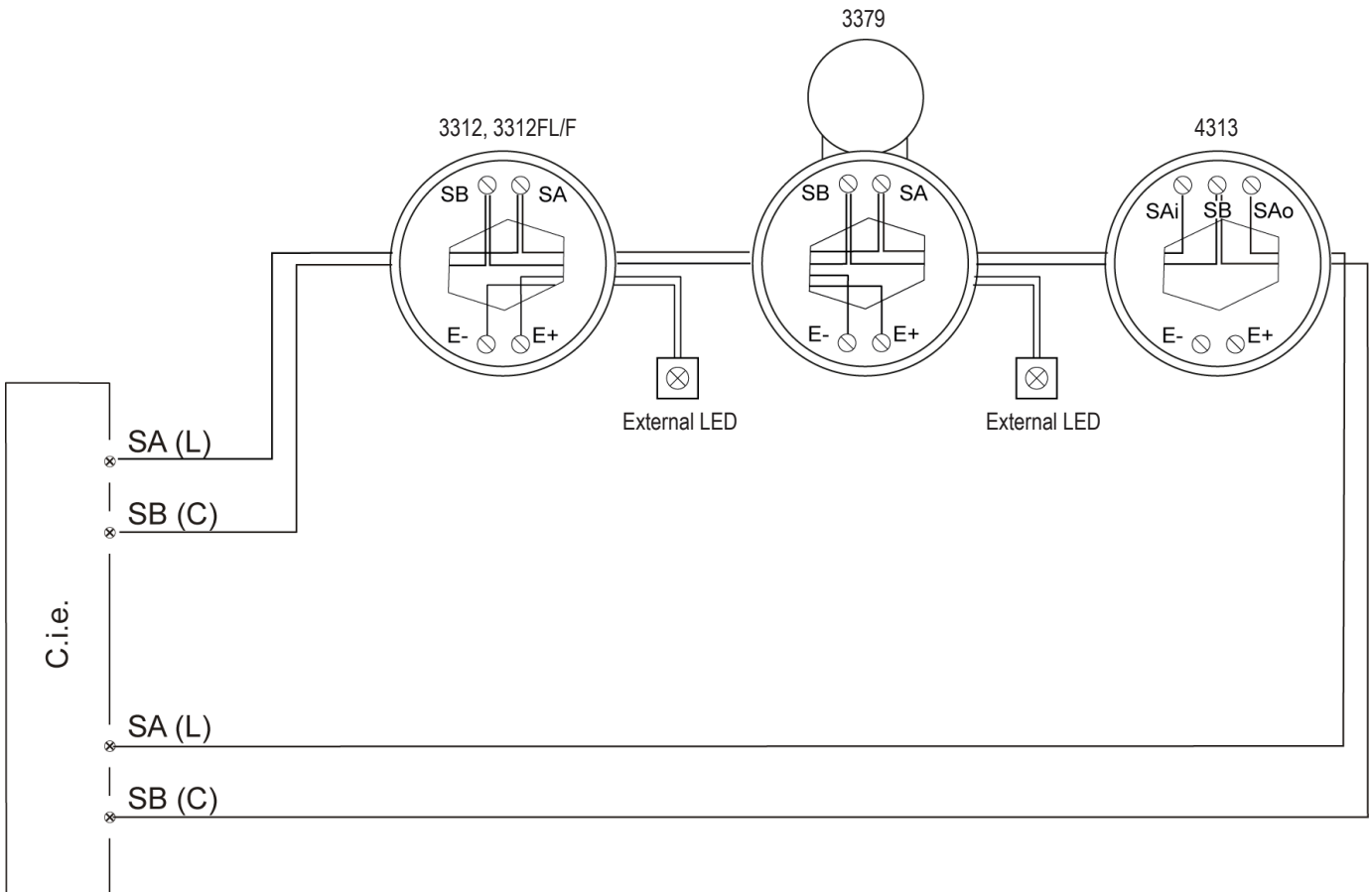
6. MOUNTING

The light indicator is mounted between an analog detector base and an analog detector.

7. INSTALLATION AND WIRING

The light indicator is plugged in an analog base 3312x / 4313 / 3379. The COM Loop and external LED are connected to the analog base.

Screen wire termination is not provided.



8. TECHNICAL DATA

All current consumptions are valid by nominal voltage and by 25 °C.

Voltage: Allowed Normal	12 – 30V DC 24V DC
Current: Quiescent Active	1.5 mA 3.5 mA
Address range	001-253
Address setting	With address setting tool
Short circuit isolator	No
Internal battery	No
Material	FR ABS
Ambient temperature: Operating Storage	-10 to +55 °C -25 to +70 °C
Ambient humidity	Maximum 95 % RH (Non condensing)
Flash rate	1 Hz
Ingress protection rating	IP21 C
Size: Ø x H	102 x 28 mm
Weight:	90 g
Colour	Transparent

9. APPROVALS

Applicable directive/ Approval	Applicable standards	Notified body
EMC	EN61000-6-3 (Emission) EN50130-4 (Immunity)	Self declaration
RoHS	EN IEC 63000	Self declaration



DOCUMENT NAME: TECHNICAL DESCRIPTION 4383
DOCUMENT NUMBER: MEW01888 EN
DATE OF ISSUE: 2015-11-12
REV: 2
DATE OF REVISION: 2023-07-06

Panasonic Fire & Security Europe AB

Jungmansgatan 12
SE-211 11 Malmö
SE
Tel: +46 (0)40 697 70 00