

Non-contact safety door switch
SG-P Series
Instruction Manual

(MEMO)

Before Using this Device

Thank you for purchasing Non-contact Safety Door Switch **SG-P** Series.

Please read this Instruction Manual carefully and thoroughly for the correct and optimum use of this device.

Kindly keep this manual in a convenient place for quick reference.

This device is a non-contact safety door switch that protects persons from injury or accident which can be caused by dangerous parts of a machine.

This manual is for the following persons who have received appropriate training and have knowledge of non-contact safety door switches and safety.

- Those who are in charge of introduction of this device.
- Those who incorporate this device into systems or design them.
- Those who install and/or connect this device.
- Those who manage or perform operations at sites where this device is used.

Please Note

1. The contents of this Instruction Manual are subject to change without notice for future improvement.
2. Every effort is made to produce this Instruction Manual. If you find any question, error, incorrect collating and/or missing page, please do not hesitate to contact our nearest local office to you: Panasonic Industry.
3. The original version of this description is written in Japanese and English.

Manual Configuration

1 Introduction	This chapter describes safety precautions, handling precautions, applicable standards, and other information required to be checked before using the device.
2 Overview of Product	This chapter describes the main features and parts of the device.
3 Installation and Connections	This chapter describes installation, connections, wiring, and other work.
4 Function	This chapter describes details of various functions and settings.
5 Maintenance actuator	This chapter explains the maintenance actuator.
6 Maintenance	This chapter describes maintenance and inspection.
7 Troubleshooting	This chapter describes troubleshooting.
8 Specifications and Dimensions	This chapter describes the specifications and dimensions.
9 Appendix	This chapter describes glossary and CE/UKCA Marking Declaration of Conformity.

(MEMO)

Table of Contents

1 INTRODUCTION	1-1
1.1 Safety Precautions (Always observe)	1-2
1.2 Handling Precautions.....	1-6
1.3 Applicable Standards / Regulations	1-7
1.3.1 Safety Standards	1-7
1.3.2 Radio Laws	1-8
1.4 Contents of Package.....	1-9
2 Overview of Product	2-1
2.1 Glossary.....	2-2
2.2 Features.....	2-3
2.2.1 Product Configuration	2-5
2.2.2 System Configuration.....	2-6
2.3 Parts of the Device.....	2-8
2.3.1 Compact type	2-8
2.3.2 Visible type.....	2-9
3 Installation and Connections	3-1
3.1 Installation Conditions.....	3-2
3.1.1 Distances from Surrounding Metals.....	3-2
3.1.2 Switch body and Actuator Orientation.....	3-2
3.1.3 Sensing Area	3-3
3.1.4 Mutual Interference	3-4
3.2 Mounting Methods	3-6
3.2.1 When using the Compact Type.....	3-6
3.2.2 When using the Visible Type.....	3-7
3.3 Connecting the Switch Body with the Controller and Power Supply Unit.....	3-8
3.3.1 Using Only One Switch Body.....	3-9
3.3.2 Series Connection.....	3-10
3.3.3 Maximum Cable Length and Total Cable Length for Series Connection.....	3-12
4 Functions	4-1
4.1 Control Outputs (OSSD)	4-2
4.2 Coding.....	4-4
4.3 Pairing (Only High-code Models).....	4-5
4.3.1 Initial Pairing Setting	4-5
4.3.2 Teaching Setting	4-6
5 Maintenance Actuator	5-1
5.1 Method of Usage.....	5-2
5.2 SYSTEM CONFIGURATION	5-4

5.3 Component Names	5-7
5.4 Installation Conditions	5-8
5.4.1 Orientation of Switch Body and Maintenance Actuator	5-8
5.4.2 Mutual Interference	5-8
5.5 How to mount	5-10
5.5.1 When using with a compact type switch	5-10
5.5.2 When using with a visible type switch	5-10
5.6 Control output and indicator lights	5-12
5.6.1 Output and indicator operation	5-12
5.7 Example of connection to a safety PLC	5-16
5.7.1 Examples of the relationships of safety PLC input / output	5-16
5.7.2 Procedure for switching between maintenance mode and normal mode	5-17
6 Maintenance	6-1
6.1 When Performing Maintenance	6-2
6.2 Daily Inspection	6-3
6.3 Periodic Inspection	6-4
6.4 Inspection after Maintenance on the Equipment where this Device Is Used	6-5
7 Troubleshooting	7-1
7.1 Troubleshooting	7-2
8 Specifications and Dimensions	8-1
8.1 Specifications	8-2
8.1.1 Model No.	8-2
8.1.2 Individual Specifications	8-2
8.1.3 Safety-related parameters	8-5
8.2 Dimensions	8-6
8.2.1 Compact Type	8-6
8.2.2 Visible Type	8-8
8.2.3 Maintenance Actuator	8-9
8.2.4 I/O Circuits	8-12
9 Appendix	9-1
9.1 CE Marking Declaration Conformity	9-2
9.2 UKCA Marking Declaration Conformity	9-3
9.3 Regulatory Information	9-4

1 INTRODUCTION



1.1 Safety Precautions (Always observe)	1-2
1.2 Handling Precautions.....	1-6
1.3 Applicable Standards / Regulations	1-7
1.3.1 Safety Standards	1-7
1.3.2 Radio Laws	1-8
1.4 Contents of Package.....	1-9

1.1 Safety Precautions (Always observe)

1.1 Safety Precautions (Always observe)

This section explains important rules that must be observed to prevent personal injury and property damage.

- The hazards that may occur if the product is used incorrectly are described and classified by level of harm.

 WARNING	Risk of death or serious injury.
 CAUTION	Risk of minor injury or property damage.

WARNING

- Machine designer, installer, employer and operator
 - The machine designer, installer, employer and operator are solely responsible to ensure that all applicable legal requirements relating to the installation and the use in any application are satisfied and all instructions for installation and maintenance contained in the instruction manual are followed.
 - Whether this device functions as intended to and systems including this device comply with safety regulations depends on the appropriateness of the application, installation, maintenance and operation. The machine designer, installer, employer and operator are solely responsible for these items.
- Engineer
 - The engineer would be a person who is appropriately educated, has widespread knowledge and experience, and can solve various problems which may arise during work, such as a machine designer, installer or employer etc.
- Operator
 - The operator should read this instruction manual thoroughly, understand its contents, and perform operations following the procedures described in this manual for the correct operation of this device.
 - In case this device does not perform properly, the operator should report this to the person in charge and stop the machine operation immediately. The machine must not be operated until correct performance of this device has been confirmed.
- Environment
 - This device is suitable for indoor use only.
 - Do not use this product in an explosion-proof area.
 - Do not install this device in the following places:
 1. Areas with high humidity where condensation is likely to occur
 2. Areas exposed to corrosive or explosive gases
 3. Areas exposed to contact with water
 4. Areas exposed to too much steam or dust
 - Do not use this device near equipment that emits strong electromagnetic waves.
- Machine in which this device is installed
 - Do not install this device with a machine whose operation cannot be stopped immediately in the middle of an operation cycle by an emergency stop equipment.
 - This device starts the performance after approximately 2 seconds from the power ON. Have the control system started to function with this timing.
 - Do not use the device improperly or do not invalidate the settings after installing the device. Otherwise, the safety functions of the apparatus which uses this device may not work properly, resulting in death or serious injury.
 - Do not install the switch body of this device on a movable door.
 - When installing this device, always consider the time required to ensure a safe state and provide a distance equal to or longer than the correctly calculated safety distance between the apparatus which uses this device and the dangerous parts of the machine.
 - Confirm that the response time of the entire machine is less than the calculated value before designing the equipment.
- Wiring
 - Be sure to carry out the wiring in the power supply OFF condition.
 - All electrical wiring should conform to the regional electrical regulations and laws. The wiring should be done by engineer(s) having the special electrical knowledge.

1.1 Safety Precautions (Always observe)

WARNING

- After completing wiring, check the wiring state before supplying power.
- Do not wire the controller in parallel with a high-voltage line or power line or use the same conduit as these lines. Doing so may result in malfunctioning due to induction.
- Do not apply stress such as excessive bending or pulling to a cable or the extracted part of a cable. In particular, when the temperature is low, cable materials harden, and when the temperature is high, the materials soften, and so take care that cables may break if they are subject to stress such as bending or pulling when the temperature is low or high.
- When connecting multiple switch bodies, arrange their layout so that the total cable length is 100 m or less. Furthermore, determine the distance between the switch bodies so that the maximum cable length between them is 20 m or less.
- When using only one switch body, arrange its layout so that the maximum cable length is 20 m or less.
- When extending the cable of this device, use 0.3 mm² or larger cable.
- When wiring, make sure that liquid such as water or oil does not intrude from the end of the cable.
- Maintenance
 - When replacement parts are required, always use only genuine supplied replacement parts. Using substitute parts from another manufacturer may cause the device not to detect objects, resulting in death or serious injury.
 - The periodical inspection of this device must be performed by an engineer having the special knowledge.
 - After maintenance or adjustment, and before starting operation, test this device following the procedure specified in “Chapter ["6 Maintenance"](#)”.
 - Clean this device with a clean cloth. Do not use any volatile chemicals.
- Other precautions
 - Never modify this device. Modification may cause the device not to detect objects, resulting in death or serious injury.






CAUTION

- Specifications
 - This product has been developed / produced for industrial use only.
 - Do not use this product outside the range of the specifications. Risk of an accident and product damage. There is also a risk of a noticeable reduction of service life.
 - Use this device by installing suitable protection equipment as a countermeasure for failure, damage, or malfunction of this device.
 - Before using this device, check whether the device performs properly with the functions and capabilities as per the design specifications.
 - Note that this device may be damaged if it is subject to a strong shock (if it is dropped onto the floor, for example).
 - Do not use the device near an apparatus that generates magnetic fields. Otherwise, the operating distance may be affected.
 - Do not apply an excessive shock to the safety switch when opening or closing the door.
 - Use of this device under the following conditions or environments is not presupposed. Please consult us if there is no other choice but to use this device in such an environment.
 1. Operating this device under conditions or environments not described in this manual.
 2. Using this device in the following fields: nuclear power control, railroad, aircraft, auto mobiles, combustion facilities, medical systems, aerospace development, etc.
 - When the apparatus that uses this device is to be used for enforcing protection of a person from any danger occurring around the area where machines are operated, the user should satisfy the regulations established by national or regional security committees (Occupational Safety and Health Administration: OSHA, the European Standardization Committee, etc.). Contact the relative organization(s) for details.
- Power supply
 - Verify that the supply voltage fluctuations are within the rating.
 - When using a commercial switching regulator for the power supply, be sure to ground the frame ground (F.G.) terminal of the power supply.
 - When using the device, avoid the transient state that occurs when the power supply is turned ON.
 - When connecting multiple devices together, connect all the devices including control outputs (OSSD1 and OSSD2) to the same power supply.
- Other precautions
 - Never attempt to disassemble, repair, or modify the product.
 - When this device becomes inoperable or unnecessary, dispose of the product properly as industrial waste by abiding by the applicable law in the country.

1.2 Handling Precautions

1.2 Handling Precautions

- In this manual, the following symbols are used to indicate safety information that must be observed.

	Indicates an action that is prohibited or a matter that requires caution.
	Indicates an action that must be taken.
 Info.	Indicates supplemental information.
 Note	Indicates details about the subject in question or information useful to remember.
 Procedure	Indicates operation procedures.

1.3 Applicable Standards / Regulations

This device complies with the following standards / regulations.

1.3.1 Safety Standards

■ <Conformity Directives / Conforming Regulations>

EU Law : RE Directive 2014/53/EU, Machinery Directive 2006/42/EC, RoHS Directive 2011/65/EU

British Legislation : RE Regulations 2017/1206, Machinery Regulations 2008/1597, RoHS Regulations 2012/3032

■ <Applicable Standards>

EN 60947-5-3

EN ISO 13849-1: 2015 (Category 4, PLe)

EN ISO 14119 (Type4,Low level coded and High level coded)

EN 300 330 V2.1.1

EN 301 489-1 V2.1.1

EN 301 489-1 V2.2.3

EN 301 489-3 V2.1.1

IEC 61508-1 to 3(SIL3)

■ <International Standards>

ISO 13849-1: 2015 (Category 4, PLe)

IEC 61508-1 to 3(SIL3)

IEC 62061 (SIL3)

IEC 60947-5-3

ISO 14119(Type4,Low level coded and High level coded)

■ Standards in US / Canada

CAN/CSA C22.2 No14, UL508

■ European Standards (JIS)

JIS B 9705-1 (ISO 13849-1)

JIS C 0508 1 to 3(IEC 61508-1 to 3)

JIS B 9961 (IEC 62061)

JIS C 8201-5-2 (IEC 60947-5-2)

JIS B 9710 (ISO 14119)

1.3 Applicable Standards / Regulations

Note

- The conformance of this device to JIS is based on our self-evaluation.
- For Machinery Directive/RE Directive, type certification by a Notified Body TÜV SÜD has been acquired.
The EU Declaration of Conformity & UKCA Declaration of Conformity can be downloaded from the following website.
<https://www.ptc.panasonic.eu/compliance-documents>
- Type certification has been acquired for maintenance actuators (sold separately) used in combination with **SG-P** switch units.
- Before using this device in a target region other than the above, be sure to confirm the standards / regulations applied in the relevant nation and region.

1.3.2 Radio Laws

■ Radio Law in US / Canada

FCC Part15 Subpart B Class A Digital Device

FCC Part15 Subpart C

ICES-003

RSS-310

Note

- Radio Law in Japan
This device is a Extremely Low Power Radio Device based on the Radio Law in Japan. When using this device in Japan, it is not necessary to obtain a license for a radio station.
- Before using this device in a target region other than the above, be sure to confirm the standards / regulations applied in the relevant nation and region.

Available countries (Radio law certified countries)

This product can be used in following countries.

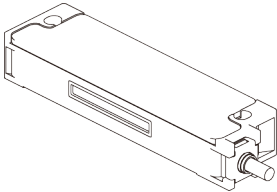
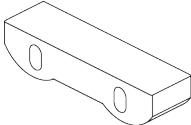
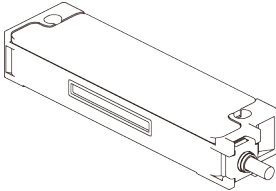
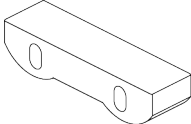
Japan · China · Thailand · Europe (Austria · United Kingdom · France · Germany · Luxembourg) · Switzerland · United States of America · Canada · Singapore · Philippines · South Korea · India · Indonesia · Malaysia · Vietnam

For more information on regulatory information for each country, please refer to "[9.3 Regulatory Information](#)".

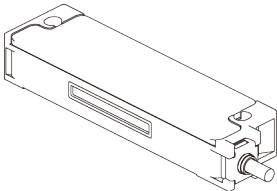
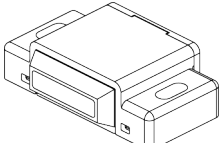
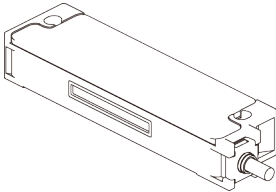
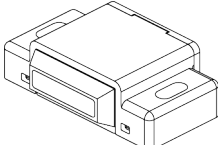
1.4 Contents of Package

The following accessories are included in the product package. Before using the product, make sure that no items are missing.

■ Compact type

Standard	Sub
<p> SG-P1010-M-P / Low code, PNP output SG-P1010-M-N / Low code, NPN output SG-P2010-M-P / High code, PNP output SG-P2010-M-N / High code, NPN output </p> <ul style="list-style-type: none"> • Switch body: 1 unit  <ul style="list-style-type: none"> • Actuator: 1 unit  <ul style="list-style-type: none"> • Quick Instruction Manual (Japanese / English,Chinese): 1 pc. each • General Information for Safety, Compliance, and Instructions: 1 pc. 	<p> SG-P1010-S / Low code SG-P2010-S / High code </p> <ul style="list-style-type: none"> • Switch body: 1 unit  <ul style="list-style-type: none"> • Actuator: 1 unit  <ul style="list-style-type: none"> • Quick Instruction Manual (Japanese / English,Chinese): 1 pc. each • General Information for Safety, Compliance, and Instructions: 1 pc.

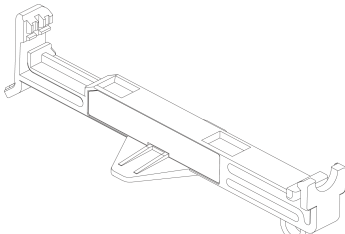
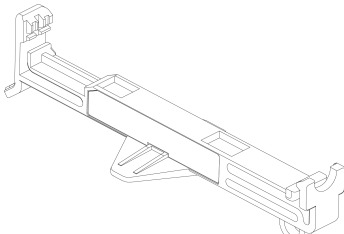
■ Visible type

Standard	Sub
<p> SG-P1020-M-P / Low code, PNP output SG-P1020-M-N / Low code, NPN output SG-P2020-M-P / High code, PNP output SG-P2020-M-N / High code, NPN output </p> <ul style="list-style-type: none"> • Switch body: 1 unit  <ul style="list-style-type: none"> • Actuator: 1 unit 	<p> SG-P1020-S / Low code SG-P2020-S / High code </p> <ul style="list-style-type: none"> • Switch body: 1 unit  <ul style="list-style-type: none"> • Actuator: 1 unit  <ul style="list-style-type: none"> • Quick Instruction Manual (Japanese / English,Chinese): 1 pc. each

1.4 Contents of Package

Standard	Sub
<ul style="list-style-type: none"> Quick Instruction Manual (Japanese / English,Chinese): 1 pc. each General Information for Safety, Compliance, and Instructions: 1 pc. 	<ul style="list-style-type: none"> General Information for Safety, Compliance, and Instructions: 1 pc.

■ Maintenance actuator (sold separately)

Overall maintenance type	Individual maintenance type
<p>SG-PK-M1</p> <ul style="list-style-type: none"> Actuator: 1 unit  <ul style="list-style-type: none"> Quick Instruction Manual (Japanese / English, Chinese): 1 pc. each 	<p>SG-PK-M2</p> <ul style="list-style-type: none"> Actuator: 1 unit  <ul style="list-style-type: none"> Quick Instruction Manual (Japanese / English, Chinese): 1 pc. each

2 Overview of Product

- 2.1 Glossary.....2-2
- 2.2 Features.....2-3
 - 2.2.1 Product Configuration 2-5
 - 2.2.2 System Configuration..... 2-6
- 2.3 Parts of the Device.....2-8
 - 2.3.1 Compact type..... 2-8
 - 2.3.2 Visible type..... 2-9

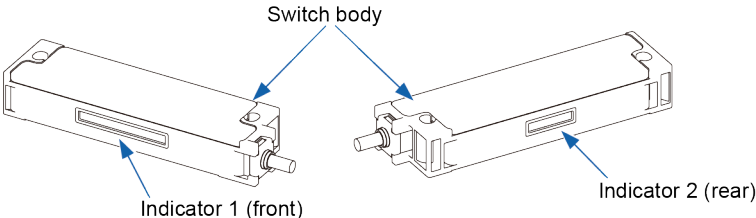
2.1 Glossary

2.1 Glossary

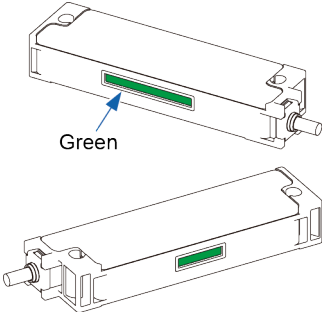
Term	Description
Machinery Directive/ Machinery Regulations	This directive/regulations applies to assemblies of linked parts or components powered by electricity, compressed air, oil pressure, or other means, consisting of at least one component which moves and a component which fulfills a safety function, and which is sold in the market as a single unit.
RE Directive/RE Regulations	This directive/regulations applies to radio equipment exported to Europe.
ISO 14119	General requirements for the design and selection of interlocking devices associated with safety guards of machinery.
ISO 13849-1	Standards that specify safety-related parts of the safety and control systems of machinery. These standards specify levels (categories) of structure and fault detection reliability, and levels of safety function performance capability (PL: Performance Level).
IEC 61508-1/2/3/4/5/6/7	Standards that pertain to general functional safety for electrical, electronic, and programmable electronic devices. These standards prescribe methods, safety integrity levels (SIL), and other specifications that reduce risk to a tolerable level of probability.
Control output (OSSD)	Abbreviation for Output Signal Switching Device. A component of the ESPE connected to a machine control system that turns OFF when detection device operates during normal operation.
Lockout	One of the safety states of the device. Operation stops when the self-diagnosis function determines that an irrecoverable failure (OSSDs not operating normally, etc.) has occurred.
Maintenance Actuator	This is an optional equipment for this product. It is used during maintenance work by attaching it directly to the switch body to keep the door open in a maintenance state.

2.2 Features

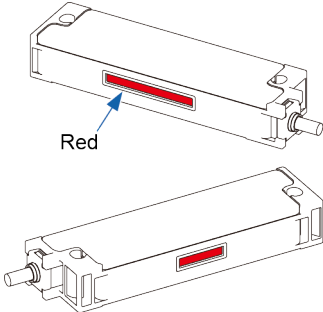
This device is a non-contact safety door switch to be installed on the door of the machine. A large indicator is mounted on the switch body. This allows workers to easily check whether the indicator shows the safety state, unsafe state, or error state even from a distant place. This device is available in two types: Compact type and Visible type. Select either one depending on the mounting conditions.



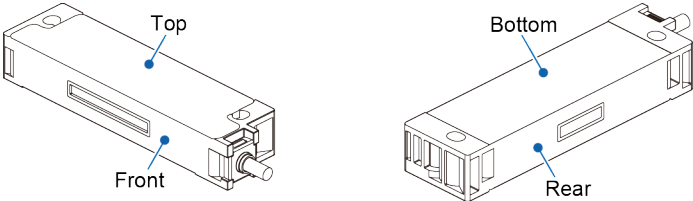
When the actuator is detected



When the actuator is not detected



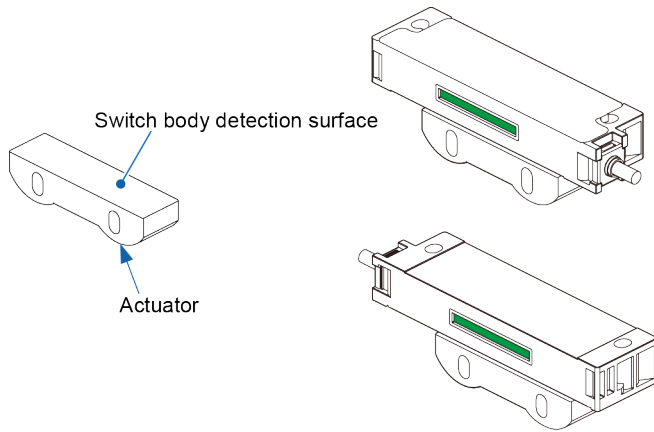
Each side of the switch body is defined as follows.



■ Compact type

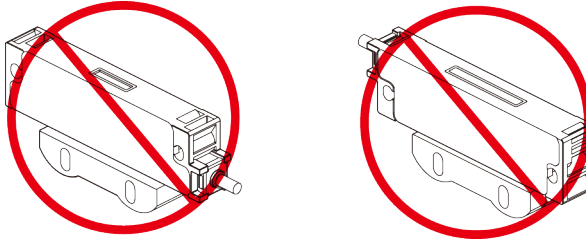
As the actuator is small, space-saving mounting is possible.

2.2 Features



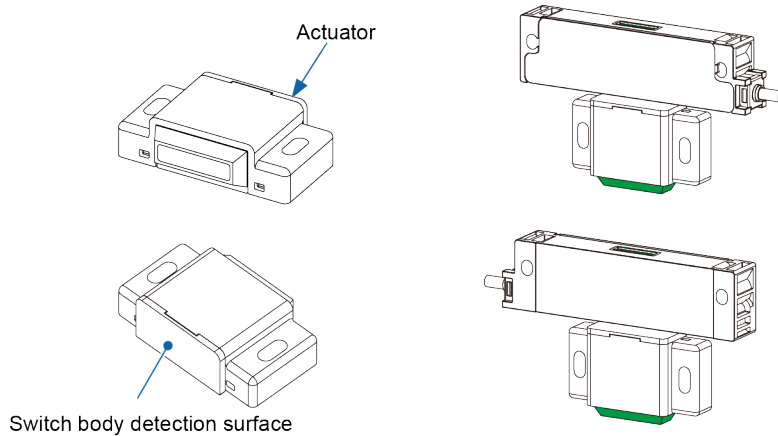
- The Compact type switch body cannot detect the actuator with its front or rear surface.

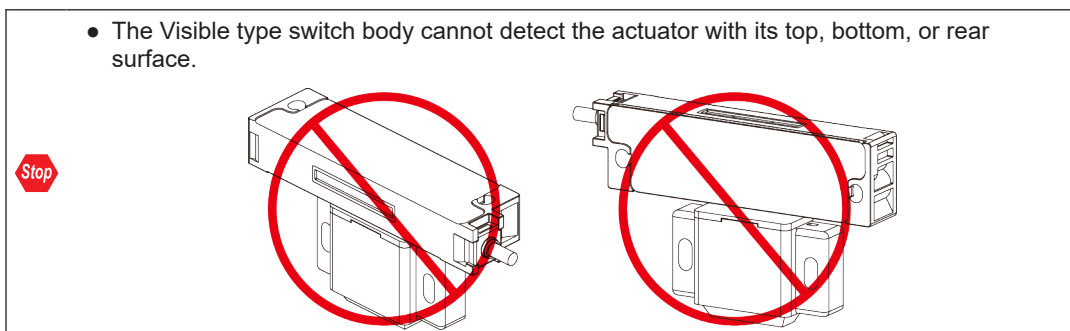
Stop



■ Visible type

The actuator attached to the Visible type is uniquely designed to transmit and recognize the light of the switch body indicator. Even if the indicator of the switch body is hidden when the actuator is detected, the visibility is not degraded.

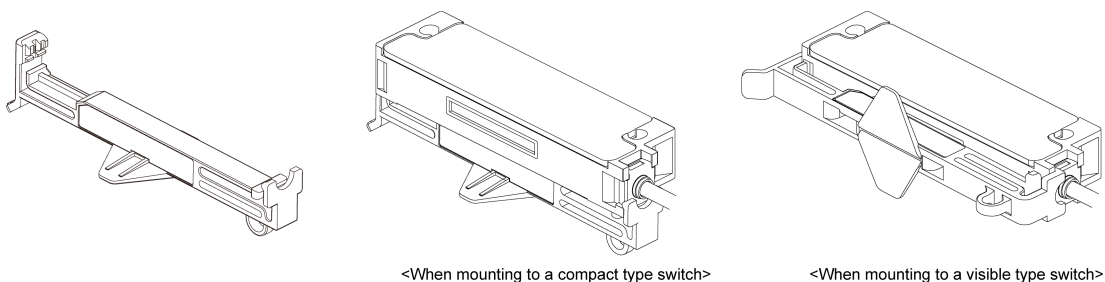




■ Maintenance Actuator

By mounting the maintenance actuator directly onto the switch body while the door is open, the switch body will operate in a maintenance state.

For details, refer to "5 Maintenance Actuator".

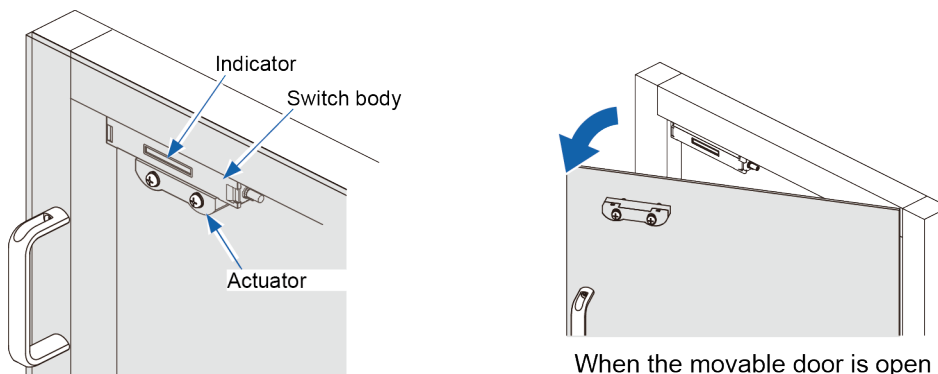


2.2.1 Product Configuration

Mount the switch body of this device on a machine unit or on a guard and mount the actuator on the door of a movable member. The switch body must be connected to a power supply unit and a safety device such as a safety controller.

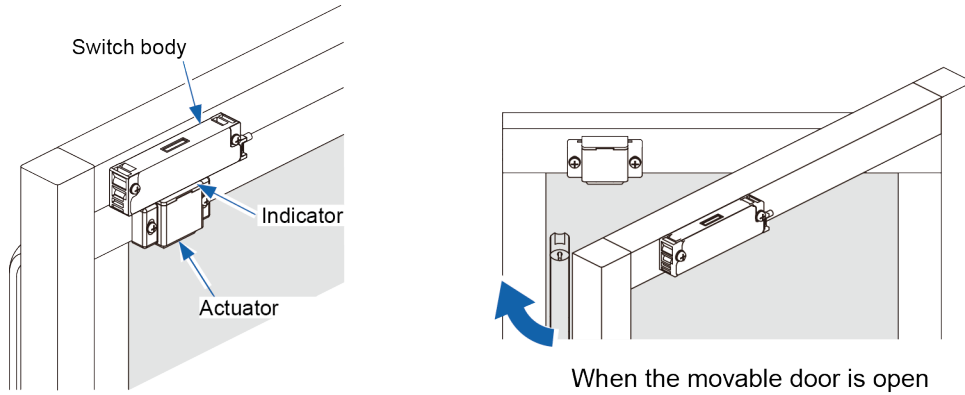
Select either the Compact type or Visible type depending on how the door opens or how it is installed.

■ Compact type



2.2 Features

■ Visible type

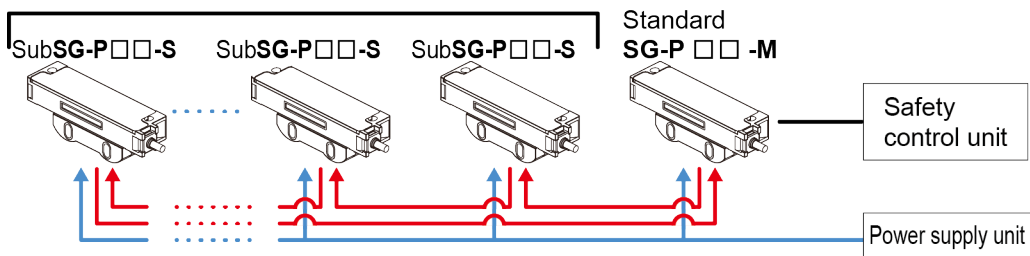


- Use the **SG-P** Series switch body in combination with the designated actuator. If the switch body is used in combination with an actuator other than the designated one, they will not operate correctly.

2.2.2 System Configuration

This device is available as the **SG-P□□-M** standard units and as the **SG-P□□-S** sub units. For one **SG-P□□-M** standard unit, up to a maximum of 29 **SG-P□□-S** sub units can be operated by connecting them in a series connection.

Possible to connect a maximum of 29 units.





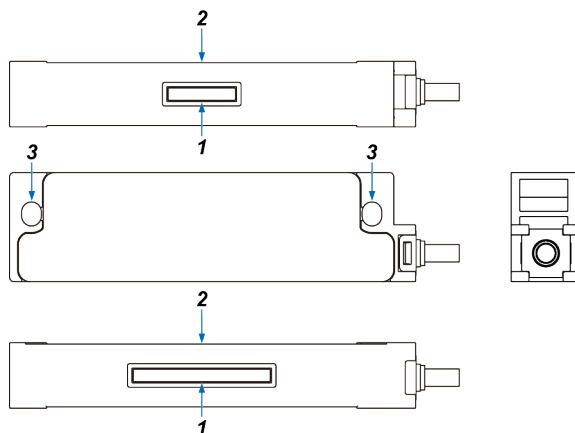
- Note that the **SG-P□□-S** sub unit cannot be used alone. When using a single device, use the **SG-P□□-M** standard unit. When connecting multiple devices together, use the **SG-P□□-S** sub unit for the second unit onwards.
- The **SG-P□□-M** standard unit can be connected with all **SG-P□□-S** sub units.
- Be sure to use this device together with a safety device such as a safety controller.







2.3 Parts of the Device

2.3 Parts of the Device

2.3.1 Compact type

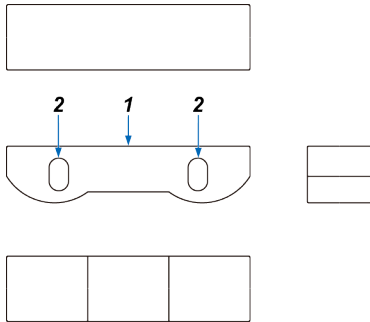
Switch body



Name		Function	
1	Indicator	Lit in green 	When the actuator is detected
		Lit in red 	When the actuator is not detected
		Flashing in red 	<ul style="list-style-type: none"> Lockout state, error occurrence^(Note 1) When the teaching sequence was incorrect (only when using high-code models)^(Note 1)
		Flashing in green 	<ul style="list-style-type: none"> When the actuator is not detected by other switch bodies (standard or sub) when multiple units are connected When an error occurs at other switch bodies (standard or sub) when multiple units are connected
		Lit in yellow  (Green / Red lit together)	After the power supply is turned ON, during self-diagnosis
		Alternately flashing red and yellow  (Red lit, green flashing)	When an unpaired actuator is detected (only when using high-code models)
2	Actuator detection surface	When the actuator is brought near the switch body, the switch body will detect the actuator.	
3	Mounting hole	Use M4 screws, flat washers, and spring washers to mount the switch body on a machine unit or on a guard.	

(Note 1) The error content depends on the number of flashes. For details, refer to "7 Troubleshooting".

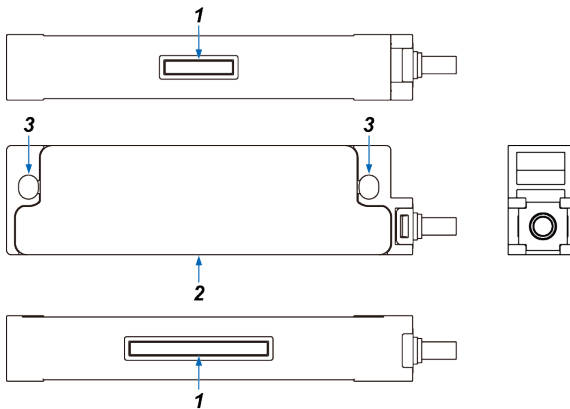
Actuator




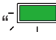


	Name	Function
1	Switch body detection surface	When the actuator is brought near the switch body, the switch body will detect the actuator.
2	Mounting hole	Use M4 screws, flat washers, and spring washers to mount the switch body on a machine unit or on a guard.



2.3.2 Visible type

Switch body



	Name	Function	
1	Indicator	Lit in green 	When the actuator is detected
		Lit in red 	When the actuator is not detected
		Flashing in red 	<ul style="list-style-type: none"> Lockout state, error occurrence^(Note 1) When the teaching sequence was incorrect (only when using high-code models)^(Note 1)
		Flashing in green 	<ul style="list-style-type: none"> When the actuator is not detected by other switch bodies (standard or sub) when multiple units are connected

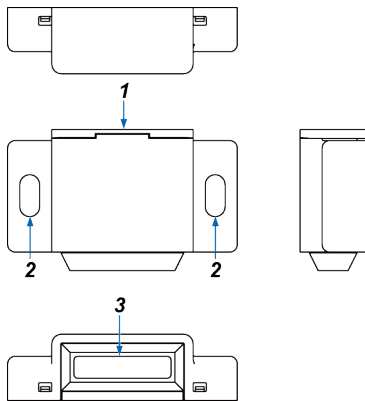
2.3 Parts of the Device

Name		Function
		<ul style="list-style-type: none"> When an error occurs at other switch bodies (standard or sub) when multiple units are connected
	Lit in yellow  (Green / Red lit together) (Note 2)	After the power supply is turned ON, during self-diagnosis
	Alternately flashing red and yellow  (Red lit, green flashing) (Note 2)	When an unpaired actuator is detected (only when using high-code models)
2	Actuator detection surface	When the actuator is brought near the switch body, the switch body will detect the actuator.
3	Mounting hole	Use M4 screws, flat washers, and spring washers to mount the switch body on a machine unit or on a guard.

(Note 1) The error content depends on the number of flashes. For details, refer to "7 Troubleshooting".

(Note 2) When the LED light is checked through the actuator, it may appear as green and/or red depending on the viewing angle.

Actuator



Name		Function
1	Switch body detection surface	When the actuator is brought near the switch body, the switch body will detect the actuator.
2	Mounting hole	Use M4 screws, flat washers, and spring washers to mount the switch body on a machine unit or on a guard.
3	Transparent part	The light of the indicator passes through here.

3 Installation and Connections

3.1 Installation Conditions.....	3-2
3.1.1 Distances from Surrounding Metals.....	3-2
3.1.2 Switch body and Actuator Orientation.....	3-2
3.1.3 Sensing Area	3-3
3.1.4 Mutual Interference	3-4
3.2 Mounting Methods	3-6
3.2.1 When using the Compact Type.....	3-6
3.2.2 When using the Visible Type.....	3-7
3.3 Connecting the Switch Body with the Controller and Power Supply Unit.....	3-8
3.3.1 Using Only One Switch Body.....	3-9
3.3.2 Series Connection.....	3-10
3.3.3 Maximum Cable Length and Total Cable Length for Series Connection.....	3-12

3.1 Installation Conditions

3.1 Installation Conditions

When installing the device on a machine, pay attention to the following points.

3.1.1 Distances from Surrounding Metals

CAUTION

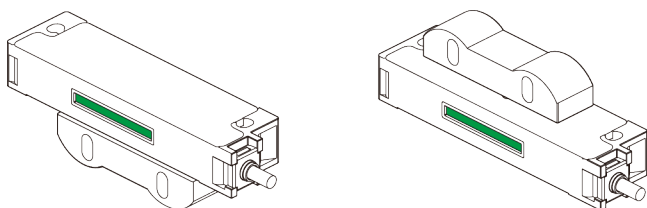


- The operating distance of the device may be affected by the metals in the vicinity. Check the actual equipment whether the safety distance is provided depending on the operating distance.

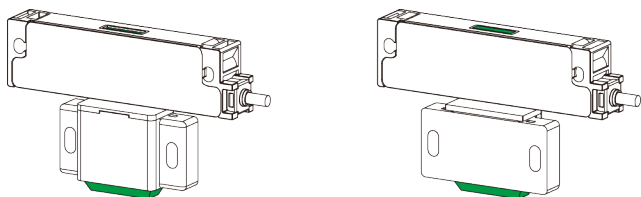
3.1.2 Switch body and Actuator Orientation

■ Correct mounting orientation

When the compact type is installed

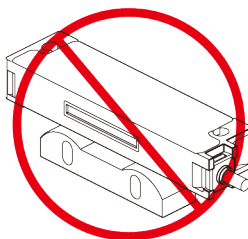
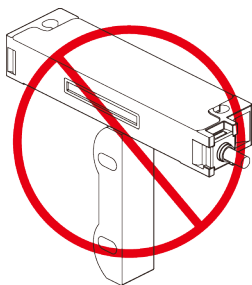


When the visible type is installed

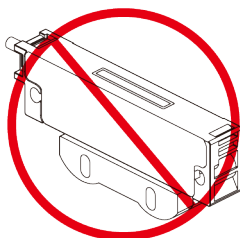
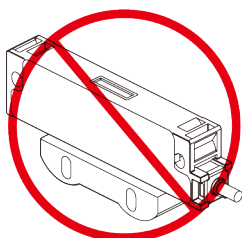


■ **Incorrect mounting orientation**

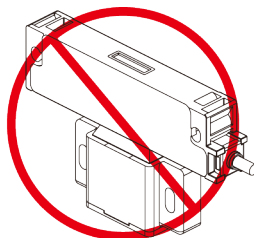
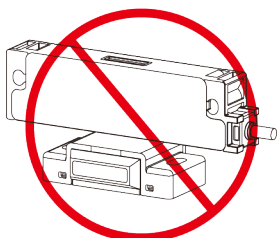
When the compact type is installed



Reverse orientation



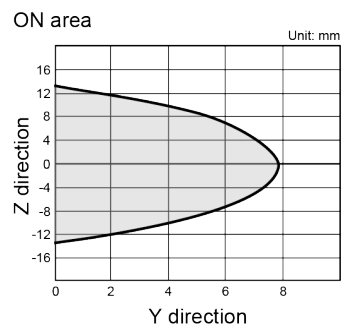
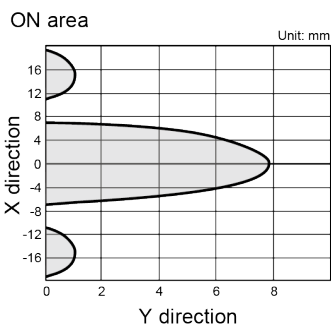
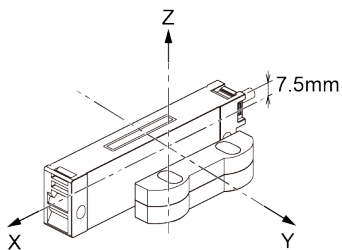
When the visible type is installed



Reverse orientation

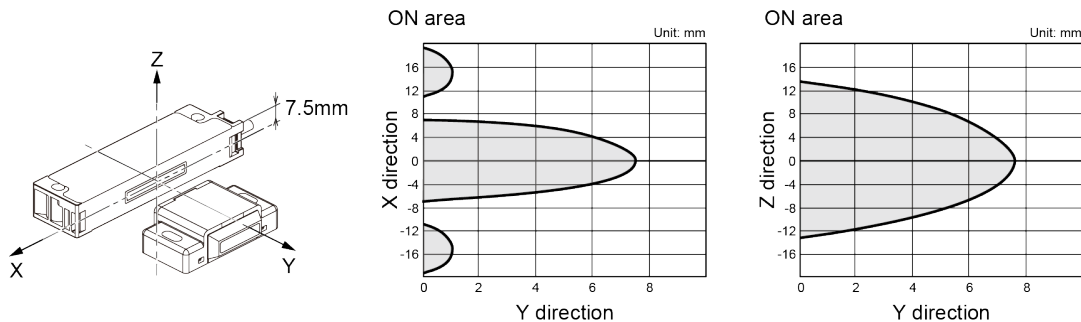
3.1.3 Sensing Area

■ **Compact type**



3.1 Installation Conditions

■ Visible type



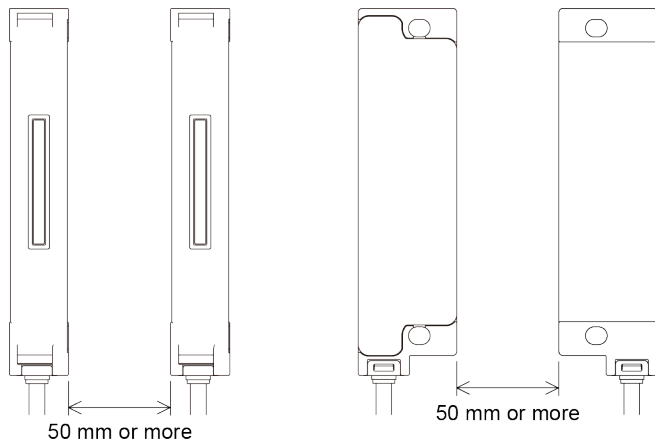
- The above figure represents typical data. Check the actual installation environment to make sure that there is no problem.
- Mount the maintenance actuator securely onto the switch body.

3.1.4 Mutual Interference

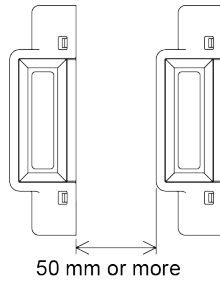
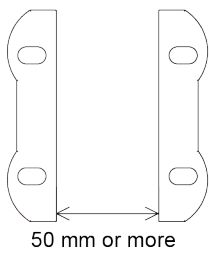
When multiple devices are installed next to one another, mutual interference may occur and cause malfunctioning.

When using them next to one another, provide a distance between one another as shown below.

■ Switch body



■ Actuator

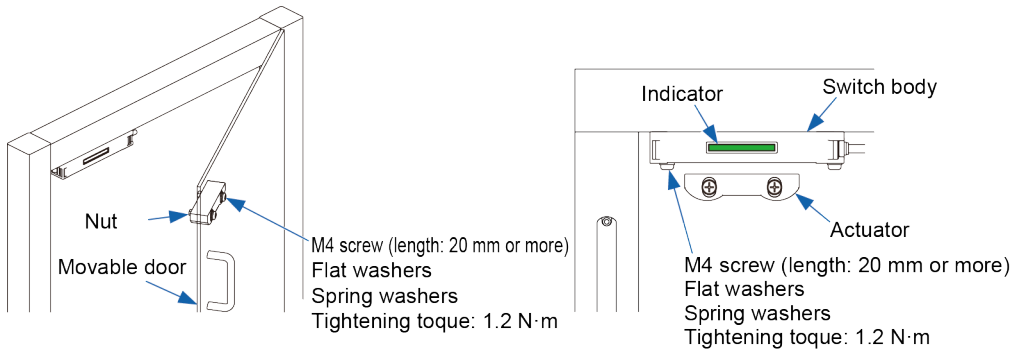


3.2 Mounting Methods

3.2 Mounting Methods

Mount the switch body on a machine unit or on a guard and mount the actuator on a movable door. Use M4 screws, flat washers, and spring washers to mount the device and firmly tighten them to the specified tightening torque.

3.2.1 When using the Compact Type



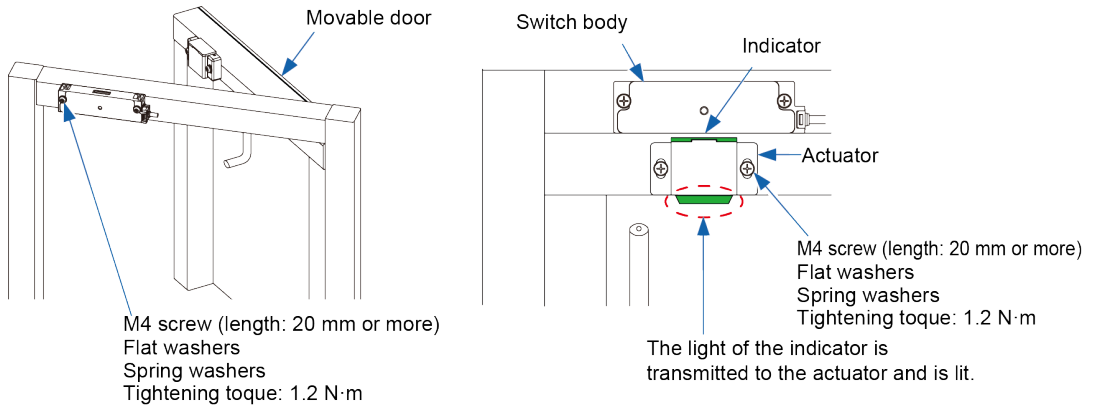
- Do not use the visible type actuator for detection
- Do not install the switch body of this device on a movable door.
- With the low-code type of this device, the switch body detects another **SG-P** Series actuator. Do not carelessly disable the switch body and pay careful attention to the management of the actuators.



- Mount the switch body carefully so that it does not come in contact with the movable door.
- Mount the switch body in a location where it cannot be reached or it is hidden so that it cannot be easily disabled. Or, mount the switch body using M4 screws that require special tools or mount it in such a way that it cannot be removed with ordinary tools.
- For detailed information about minimizing the probability that it might be disabled, refer to relevant precautions described in ISO14119.

3.2.2 When using the Visible Type

In an application where the switch indicator is hidden by a movable door frame, etc., use a Visible type and install it as shown in the following diagram.



- Do not install the switch body of this device on a movable door.
- Do not use the compact type actuator for detection
- With the low-code type of this device, the switch body detects another **SG-P** Series actuator. Do not carelessly disable the switch body and pay careful attention to the management of the actuators.



- Mount the switch body carefully so that it does not come in contact with the movable door.
- Mount the switch body in a location where it cannot be reached or it is hidden so that it cannot be easily disabled. Or, mount the switch body using M4 screws that require special tools or mount it in such a way that it cannot be removed with ordinary tools.
- For detailed information about minimizing the probability that it might be disabled, refer to relevant precautions described in ISO14119.

3.3 Connecting the Switch Body with the Controller and Power Supply Unit

3.3 Connecting the Switch Body with the Controller and Power Supply Unit

CAUTION



- Be sure to use this device together with a safety device such as a safety controller.



- If the power supply used for this device is shared by other devices, the device may be affected by noise emitted from other devices. Do not share the power supply used for this device with other devices.
- Note that our Safety Control Unit **SF-C21** cannot be connected to the NPN output type (**SG-P□□-M-N**).



- Note that the **SG-P□□-S** sub unit cannot be used alone. When using a single device, use the **SG-P□□-M** standard unit. When connecting multiple devices together, use the **SG-P□□-S** sub unit for the second unit onwards.
- The power supply unit used for this device must satisfy the following requirements.
 1. The power supply unit must be certified for use in your region.
 2. The power supply unit must have the rated output voltage of 24 VDC +10% / -20% and the ripple (P-P) of 10% or less.
 3. The power supply with SELV (Secondary Extra Low Voltage) or PELV (Protective Extra Low Voltage) that comply with the RE Directive must be used. (When CE Marking is required)
 4. The power supply must comply with Class 2 defined by UL508 or satisfy the output characteristics requirements of the limited voltage and current circuit.
 5. The power supply unit must have reinforced insulation or double insulation between the primary circuit and secondary circuit.
 6. When using a commercial switching regulator, the frame ground (F.G.) terminal must be connected to ground.
 7. The power supply unit must have an output holding time of 20 ms or more.
 8. If surges occur, take countermeasures such as connecting a surge absorber to the source of the surges.
- Our Safety Control Unit **SF-C21** can be connected only to the PNP output type (**SG-P□□-M-P**). For details, refer to the "SF-C21 Instruction Manual".

The following sections describe wiring examples for connecting the switch body (**SG-P□□-M**) of this device to the power supply unit and the safety control unit .

Info.

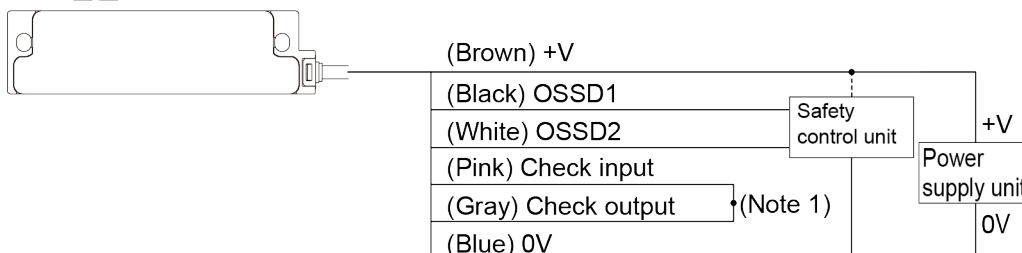
- Our Safety Control Unit **SF-C21** can be connected only to the PNP output type (**SG-P□□-M-P**). For details, refer to the "SF-C21 Instruction Manual".

3.3 Connecting the Switch Body with the Controller and Power Supply Unit

3.3.1 Using Only One Switch Body

■ For PNP output

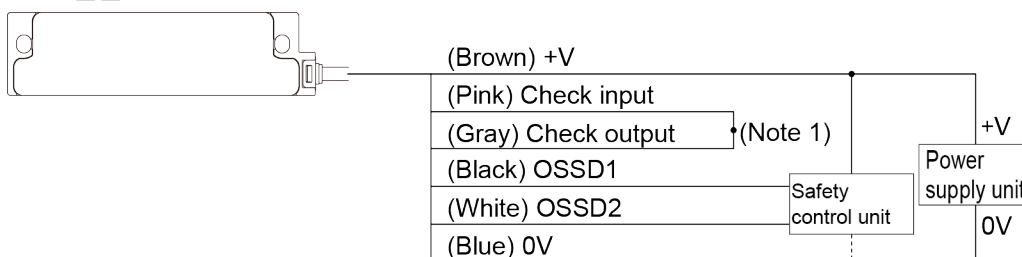
SG-P□□-M-P



(Note 1) Connect the "check input line (pink)" with the "check output line (gray)".

■ For NPN output

SG-P□□-M-N



(Note 1) Connect the "check input line (pink)" with the "check output line (gray)".

■ Maximum cable length

When using only one switch body, arrange its layout so that the maximum cable length between the switch body and the power supply unit is 20 m or less.

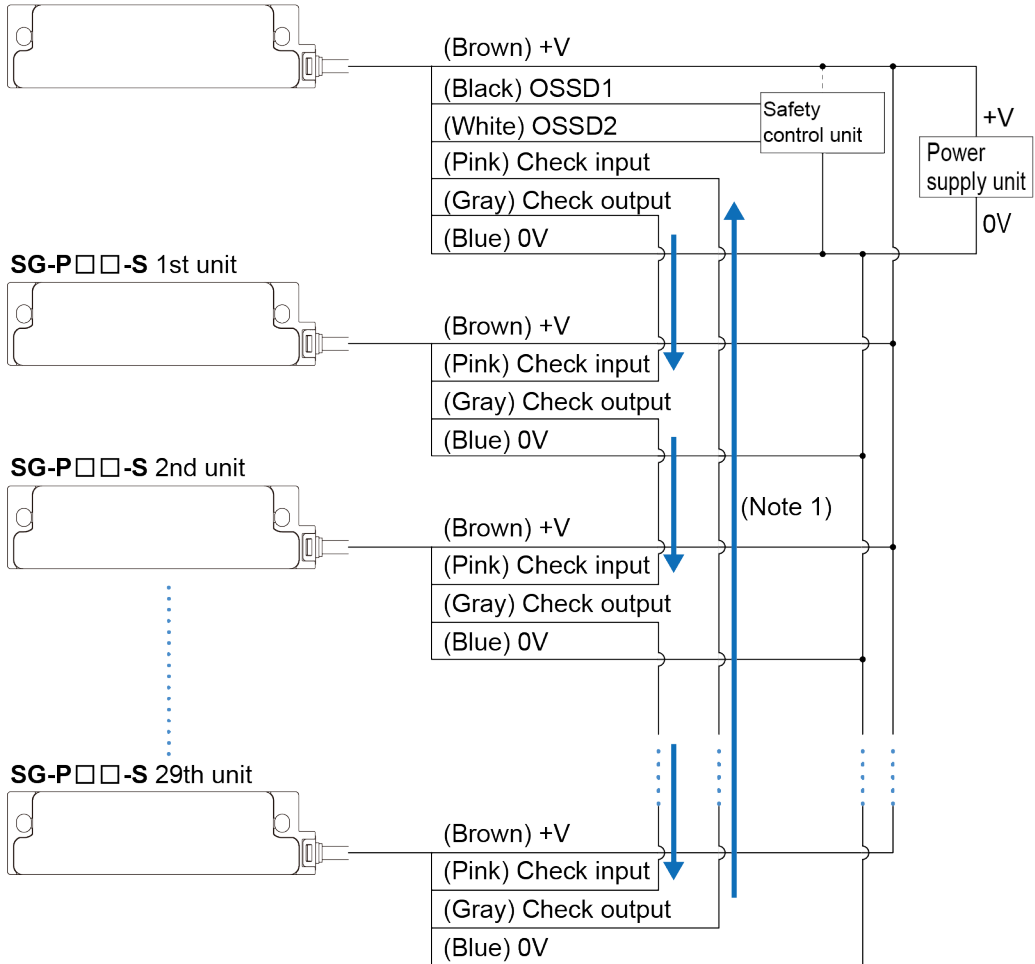
3.3 Connecting the Switch Body with the Controller and Power Supply Unit

3.3.2 Series Connection

For one **SG-P□□-M** standard unit of this device, you can connect up to 29 **SG-P□□-S** sub units in a series connection. This allows you to monitor multiple switch bodies with a single safety device. When using them, wire as shown in the following diagram.

■ For PNP output

SG-P□□-M-P

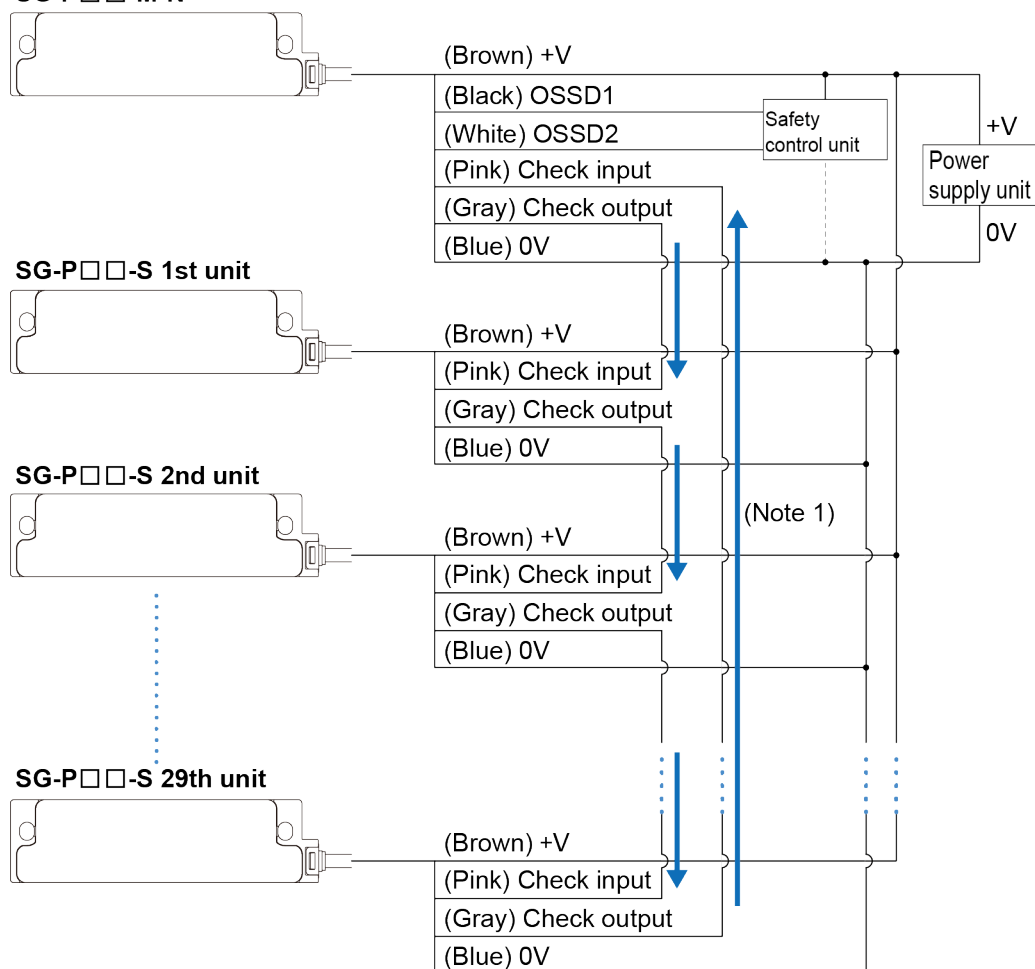


(Note 1) For connecting multiple units, connect the "check output line (gray)" with the "check input line (pink)" **SG-P□□-S** sub unit connected next. Connect the "check output line (gray)" of the **SG-P□□-S** sub unit connected at the end with the "check input line (pink)" of the **SG-P□□-M** standard unit placed at the beginning.

3.3 Connecting the Switch Body with the Controller and Power Supply Unit

■ For NPN output

SG-P□□-M-N



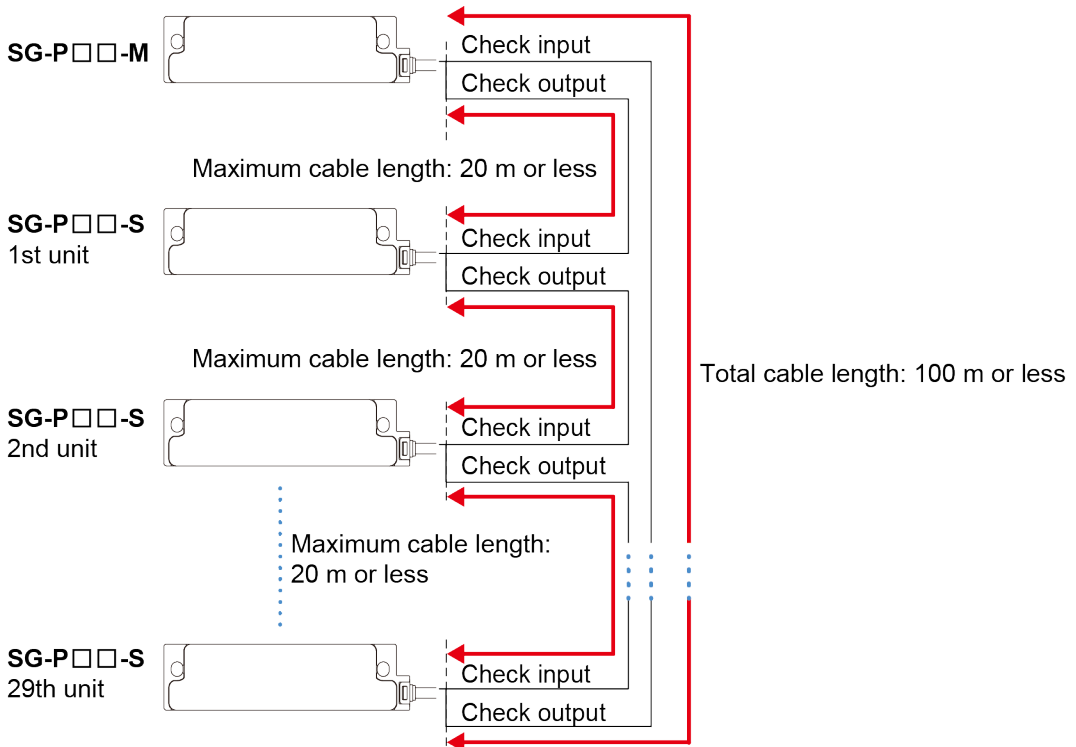
(Note 1) For connecting multiple units, connect the "check output line (gray)" with the "check input line (pink)" SG-P□□-S sub unit connected next. Connect the "check output line (gray)" of the SG-P□□-S sub unit connected at the end with the "check input line (pink)" of the SG-P□□-M standard unit placed at the beginning.

3.3 Connecting the Switch Body with the Controller and Power Supply Unit

3.3.3 Maximum Cable Length and Total Cable Length for Series Connection

The maximum cable length and total cable length when connecting multiple switch bodies are as follows.

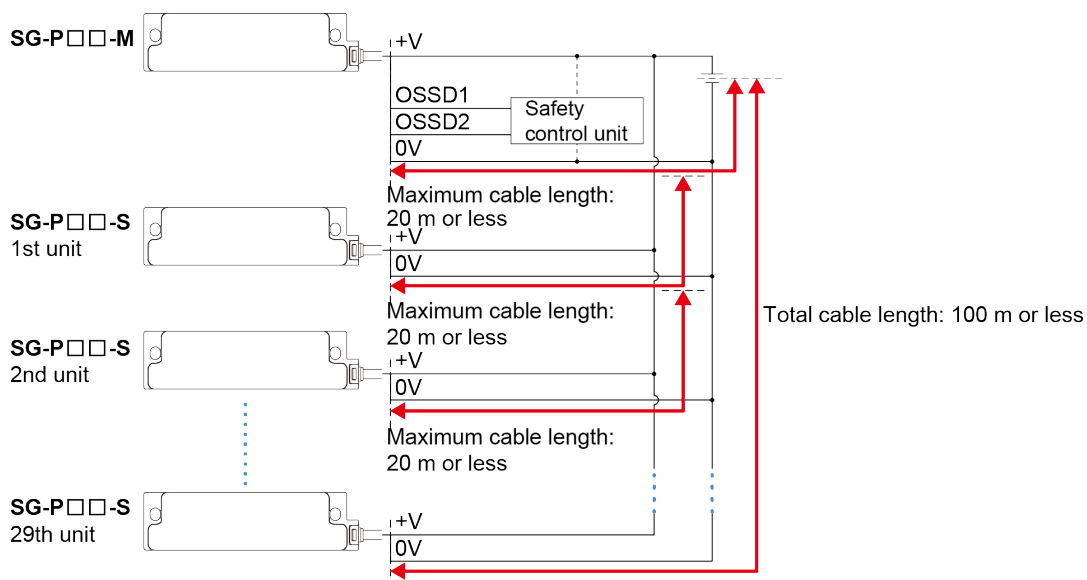
■ **Maximum cable length and total cable length of the check input line and check output line**



Arrange the layout so that the total cable length between the **SG-P□□-M** standard unit and the **SG-P□□-S** sub unit connected at the end is 100 m or less. Furthermore, determine the distance between the neighboring sensor bodies so that the maximum cable length is 20 m or less.

3.3 Connecting the Switch Body with the Controller and Power Supply Unit

■ Total cable length and maximum cable length of the power supply line and OSSD line



When connecting multiple switch bodies, arrange the layout so that the total cable length between the switch body and the power supply unit and between the switch body and the safety controller is 100 m or less. Furthermore, determine the distance between the neighboring sensor bodies so that the maximum cable length is 20 m or less.

(MEMO)

4 Functions

4.1 Control Outputs (OSSD)	4-2
4.2 Coding.....	4-4
4.3 Pairing (Only High-code Models).....	4-5
4.3.1 Initial Pairing Setting	4-5
4.3.2 Teaching Setting	4-6

4.1 Control Outputs (OSSD)

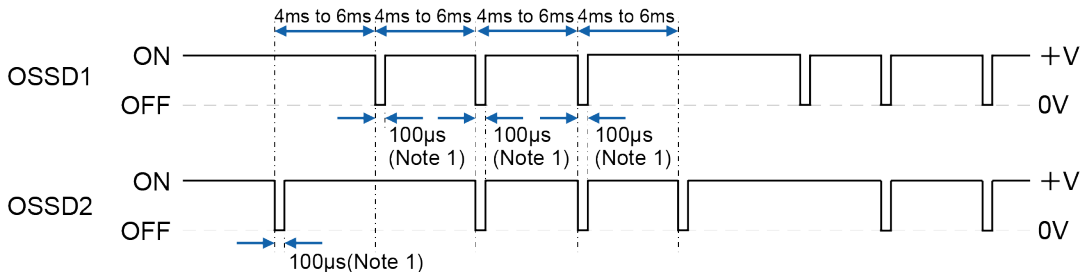
4.1 Control Outputs (OSSD)

The **SG-P□□-M** standard units of this device generates pulse signals from the control outputs (OSSD1 and OSSD2) to perform self-diagnosis when the power supply is turned ON and periodically during operation.

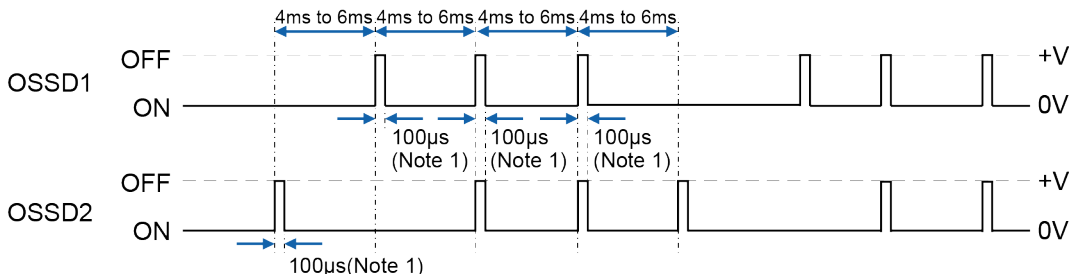
When an error occurs, it enters the lockout state and the control outputs (OSSD1 and OSSD2) are set to OFF.

■ Timing chart

For PNP output



For NPN output







(Note 1) Extended up to a maximum of 150 µs when the load is a capacitance load.

⚠ WARNING



- Do not control the machine using only one point of the control outputs (OSSD1 and OSSD2). When an OSSD malfunction occurs, the machine cannot be stopped, which may cause death or serious injury.

CAUTION

-  • When using the PNP output type, do not short circuit the OSSD output line with the + V line. Otherwise, the OSSD constantly remains ON, which may cause an accident or breakdown.
-  • When using the PNP output type, do not connect a load between the OSSD output line and the + V line. Otherwise, the OSSD operation is inverted, which may cause an accident or breakdown.
-  • When using the NPN output type, do not short circuit the OSSD output line with the 0-V line. Otherwise, the OSSD constantly remains ON, which may cause an accident or breakdown.
-  • When using the NPN output type, do not connect a load between the OSSD output line and the 0-V line. Otherwise, the OSSD operation is inverted, which may cause an accident or breakdown.



- The **SG-P□□-S** sub unit is not equipped with the OSSD.
- Turn ON the power supply again only after removing the cause of an error.

4.2 Coding

This device is available in models for two coding levels so that the switch body and the actuator operate only when they are used in a specified combination.

■ Low-code (multi-code) model

Detects only the **SG-P** Series actuators.

- Applicable models
 - SG-P1010-M-P** / Standard, Compact type, PNP output
 - SG-P1020-M-P** / Standard, Visible type, PNP output
 - SG-P1010-M-N** / Standard, Compact type, NPN output
 - SG-P1020-M-N** / Standard, Visible type, NPN output
 - SG-P1010-S** / Sub, Compact type
 - SG-P1020-S** / Sub, Visible type

■ High-code (unique-code) model

The switch body detects only the specifically paired actuators. It does not detect actuators even if they have the same model number unless they are ones that are specifically paired.

- Applicable models
 - SG-P2010-M-P** / Standard, Compact type, PNP output
 - SG-P2020-M-P** / Standard, Visible type, PNP output
 - SG-P2010-M-N** / Standard, Compact type, NPN output
 - SG-P2020-M-N** / Standard, Visible type, NPN output
 - SG-P2010-S** / Sub, Compact type
 - SG-P2020-S** / Sub, Visible type

4.3 Pairing (Only High-code Models)

4.3.1 Initial Pairing Setting

For the high-code model (**SG-P20**□-□) of this device, the pairing between the switch body and the actuator is not set as default (factory settings). Before using the product, make sure to let the switch body detect the actuator to implement the pairing.



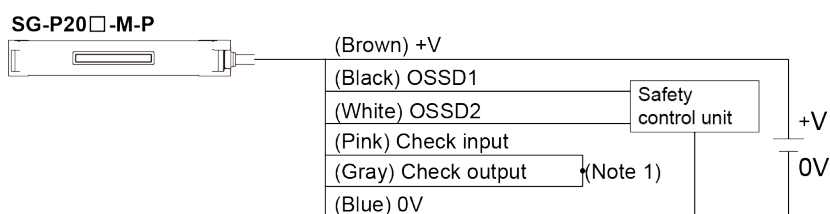
- The high-code model (**SG-P20**□-□) of this device cannot be used unless the pairing is implemented.

The following section describes the procedure for pairing the standard unit **SG-P20**□-M-□ and the actuator.

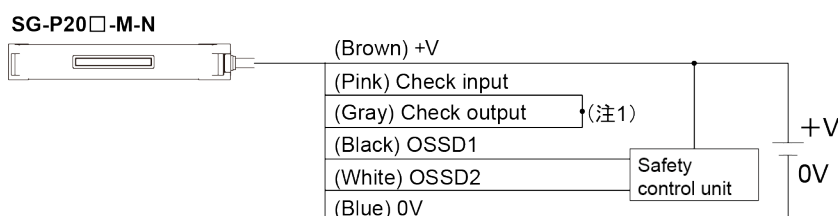
1 2 Procedure

1. Wire the **SG-P20**□-M-□ and turn ON the power supply.

SG-P20□-M-P (PNP output)



SG-P20□-M-N (NPN output)



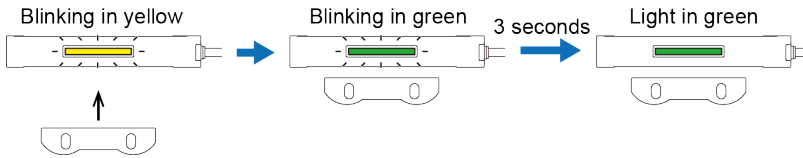
Note 1: Using only one switch body

2. When the power is turned ON, the **SG-P20**□-M-□ transitions to the pairing mode and the indicator blinks in yellow.



3. After transitioning to the pairing mode, make the **SG-P20**□-M-□ detect the actuator you want to pair to establish pairing between them. When the actuator is detected, the indicator blinks in green. In three seconds after the actuator is detected, the indicator is lit in green to indicate that the pairing has been established.

4.3 Pairing (Only High-code Models)



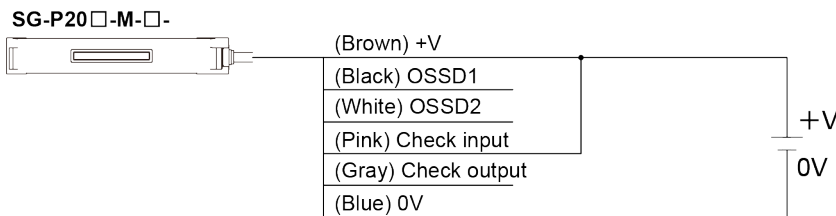
4.3.2 Teaching Setting

If pairing is required again when the actuator is replaced or for other reason, perform teaching on the switch body (**SG-P20□-M-□** standard unit or **SG-P20□-S** sub unit).

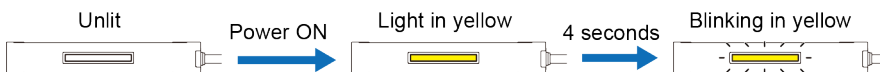
The following section describes the procedure for performing teaching on the **SG-P20□-M-□** standard unit and the actuator.

1 2 Procedure

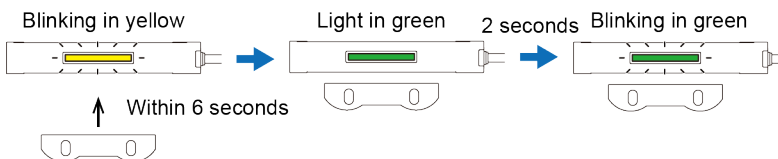
1. Perform wiring and short circuit the check input (pink) of the **SG-P20□-M-□** with the +V (brown).



2. Turn ON the power supply and start teaching settings. At that time, make sure that the actuator is in a non-detection state. When the teaching is started normally, the indicator is lit in yellow. In four seconds after the power is turned ON, the **SG-P20□-M-□** transitions to the teaching mode and the indicator blinks in yellow.

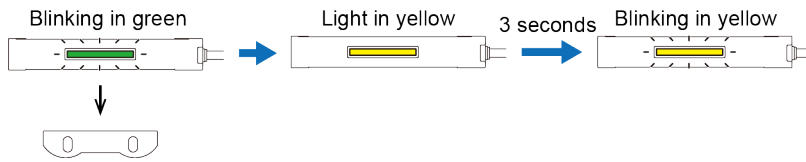


3. Within six seconds after transitioning to the teaching mode, make the **SG-P20□-M-□** detect the actuator you want to teach. When the actuator is detected, the indicator is lit in green. After the detection state is maintained for two seconds, the indicator blinks in green.

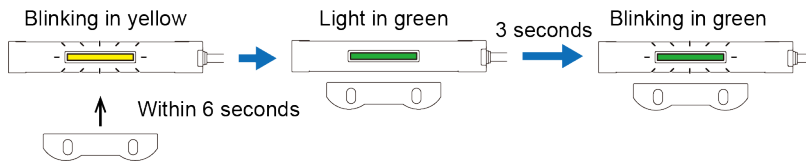


4. Move the actuator away from the **SG-P20□-M-□** and maintain a non-detection state. During the non-detection state, the indicator is lit in yellow. After the non-detection state is maintained for three seconds, the **SG-P20□-M-□** transitions to the second teaching mode and the indicator blinks in yellow.

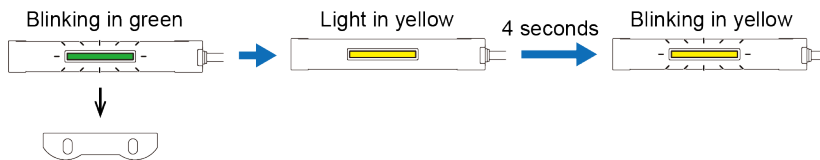
4.3 Pairing (Only High-code Models)



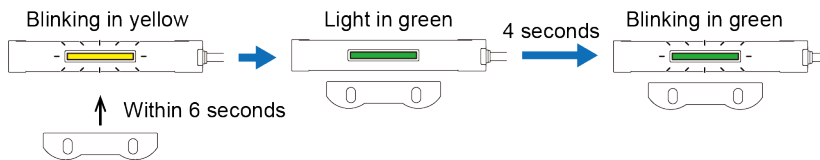
5. Within six seconds after transitioning to the teaching mode, make the **SG-P20□-M-□** detect the same actuator. When the actuator is detected, the indicator is lit in green. After the detection state is maintained for three seconds, the indicator blinks in green.



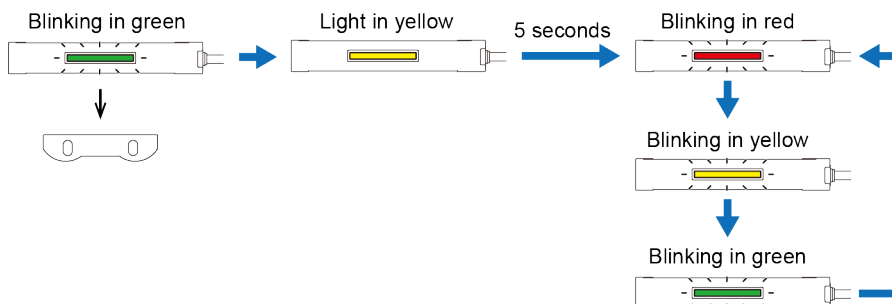
6. Move the actuator away from the **SG-P20□-M-□** and maintain a non-detection state. During the non-detection state, the indicator is lit in yellow. After the non-detection state is maintained for four seconds, the **SG-P20□-M-□** transitions to the second teaching mode and the indicator blinks in yellow.



7. Within six seconds after transitioning to the teaching mode, make the **SG-P20□-M-□** detect the same actuator. When the actuator is detected, the indicator is lit in green. After the detection state is maintained for four seconds, the indicator flashes in green.



8. Move the actuator away from the **SG-P20□-M-□** and maintain a non-detection state. During the non-detection state, the indicator is lit in yellow. When the non-detection state is maintained for five seconds, the indicator of **SG-P20□-M-□** is lit in the order of red, yellow, and green.

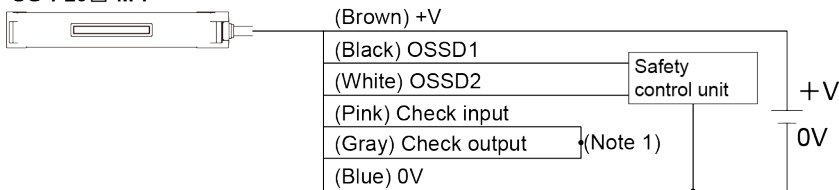


9. Turn OFF the power supply to the **SG-P20□-M-□** and release the short circuit of the check input (pink).

4.3 Pairing (Only High-code Models)

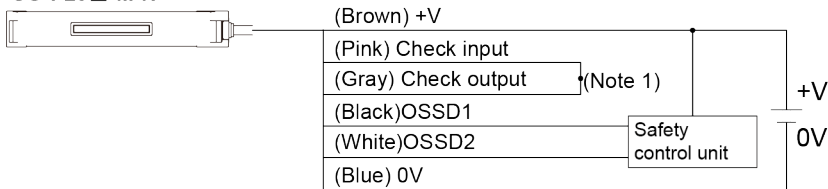
SG-P20□-M-P (PNP output)

SG-P20□-M-P



SG-P20□-M-N (NPN output)

SG-P20□-M-N



Note 1: Using only one switch body

10. Turn ON the power supply to complete the teaching.

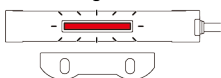
- If a mistake is made in the teaching procedure or if the actuator was not detected or non-detection state was not maintained for the specified time, the indicator blinks in red. If the indicator blinks in red, turn OFF and then ON the power supply and redo from step "Step 2".

Blinking in red

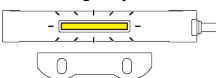


- If an unpaired **SG-P** Series actuator is detected, the indicator alternately blinks in red and yellow. When the indicator alternately blinks in red and yellow, turn OFF and then ON the power supply and make the switch body detect the paired actuator.

Blinking in red



Blinking in yellow



5 Maintenance Actuator

5.1 Method of Usage.....	5-2
5.2 SYSTEM CONFIGURATION	5-4
5.3 Component Names	5-7
5.4 Installation Conditions.....	5-8
5.4.1 Orientation of Switch Body and Maintenance Actuator.....	5-8
5.4.2 Mutual Interference	5-8
5.5 How to mount.....	5-10
5.5.1 When using with a compact type switch	5-10
5.5.2 When using with a visible type switch.....	5-10
5.6 Control output and indicator lights	5-12
5.6.1 Output and indicator operation.....	5-12
5.7 Example of connection to a safety PLC	5-16
5.7.1 Examples of the relationships of safety PLC input / output.....	5-16
5.7.2 Procedure for switching between maintenance mode and normal mode.....	5-17

5.1 Method of Usage

5.1 Method of Usage

This actuator is mounted directly onto the switch body while the door is open for maintenance work that needs to be performed with the door open.

When the maintenance actuator is mounted onto the switch body, the switch body will recognize the maintenance actuator and the indicator and OSSD output changes to a proprietary mode.

When a maintenance worker mounts the maintenance actuator to the switch body, the mounted section is indicated as being under maintenance through indicator lights and OSSD output, allowing usage scenarios such as a dedicated maintenance mode that restricts system operation.

Two types of functionality are available for maintenance actuators, depending on the functions used.

- Overall maintenance type (**SG-PK-M1**): For facility equipment startup or system-wide maintenance, etc.
- Individual maintenance type (**SG-PK-M2**): For maintenance during facility operation, etc.

WARNING



- Using a maintenance actuator incorrectly can lead to an accident. Be sure to understand the operation of the system when using a maintenance actuator to use maintenance actuators correctly.



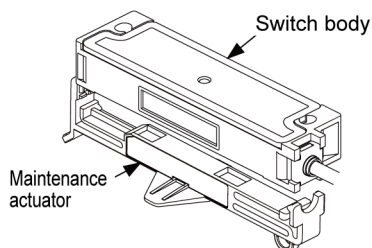
- Carefully control access to maintenance actuators to ensure that they are used only by authorized staff.



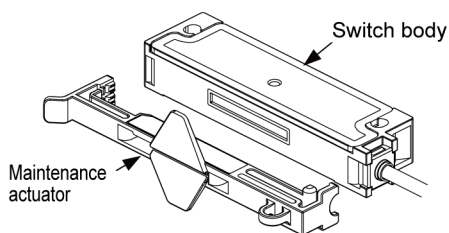
- Usage by unauthorized staff can lead to accidents.
We recommend the following privilege settings to be established for the maintenance actuator.

	Control panel	Overall	Each door
Privilege setting	Facility managers, facility startup staff	SG-PK-M1	SG-PK-M2
	Maintenance staff, specialist staff	×	SG-PK-M2
	Operators	×	×

<When mounted to a compact type switch (bottom surface)>



<When mounted to a visible type switch>





- When maintenance actuators are used, redundant 2-input monitoring (dual channel monitoring) of OSSD1 and OSSD2 for the **SG-P** series by a safety controller, etc. cannot be used.
- The **SG-PK-M1** and **SG-PK-M2** cannot be used at the same time.
- When using a maintenance actuator, be careful that the normal actuator will not be detected at the same time.



- Maintenance actuators can be used with both low-code and high-code switch bodies.
- Customers are requested to determine whether their system is in normal mode or maintenance mode and then make the appropriate settings for usage.

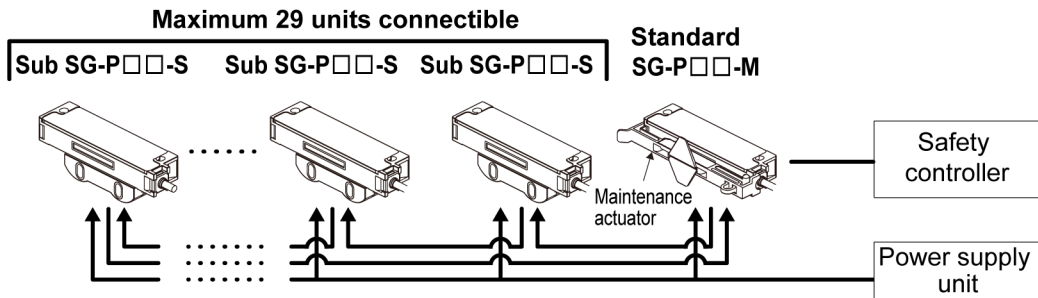
5.2 SYSTEM CONFIGURATION

5.2 SYSTEM CONFIGURATION

■ Overall maintenance type

The overall maintenance type (**SG-PK-M1**) can be mounted to and used with standard (**SG-P□□-M** / cable: black) switch bodies.

When using systems with multiple connected units, mount to the standard (**SG-P□□-M**) switch. By mounting the maintenance actuator, the entire system is recognized as being under maintenance with one operation.



- The overall maintenance type (**SG-PK-M1**) can only be used with standard units.

■ Individual maintenance type

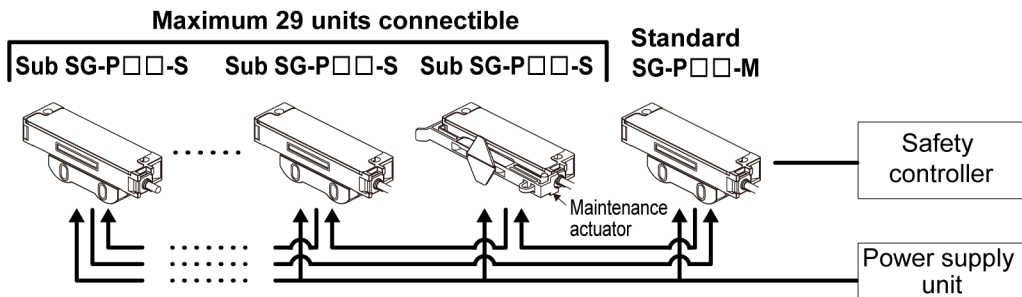
The individual maintenance type (**SG-PK-M2**) can be mounted to and used with standard (**SG-P□□-M**) and sub (**SG-P□□-S** / cable: gray) switch bodies.

Individual maintenance type actuators can be mounted to and used with multiple switch bodies at the same time.

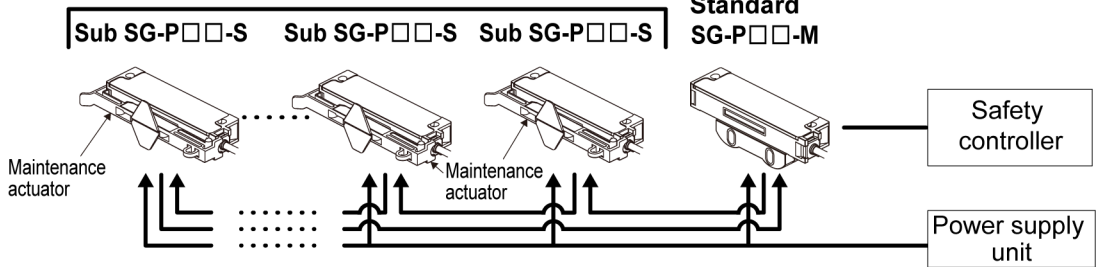
By mounting the maintenance actuator to an individual door, that door is recognized as being under maintenance.

When performing maintenance on multiple doors at once, the corresponding number of maintenance actuators will be required.

Using an individual maintenance type actuator in one location



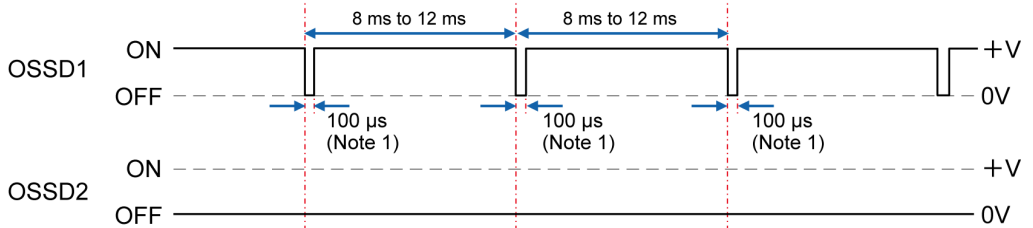
Using individual maintenance type actuators for all sub locations
 Maximum 29 units connectible



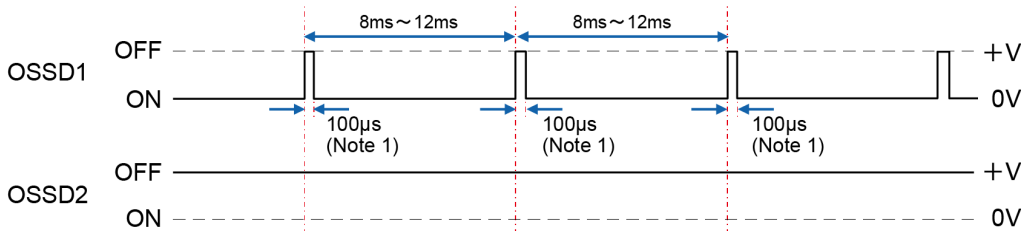
■ Output operation

- **SG-PK-M1** (Overall maintenance type)
 - OSSD Output Timing Chart

For PNP output



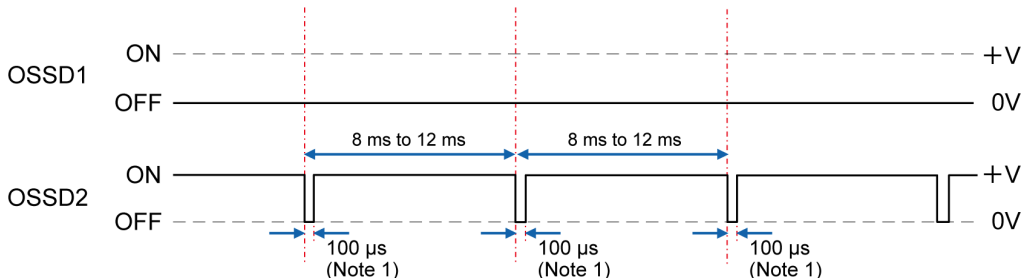
For NPN output



(Note 1) In case of a static capacitive load, it is extended to the maximum of 150 μs.

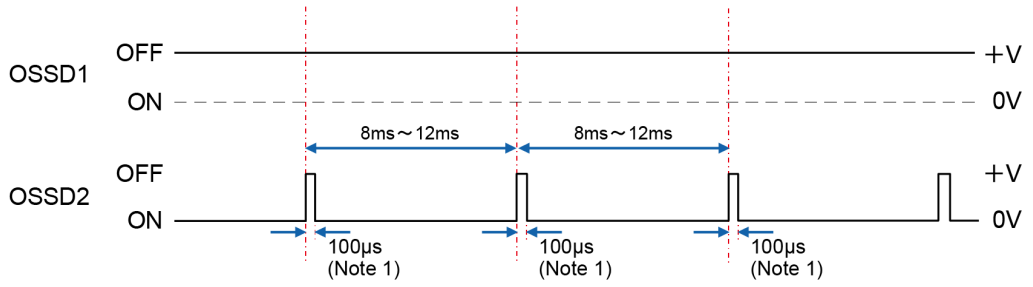
- **SG-PK-M2** (Individual maintenance type)
 - OSSD Output Timing Chart

For PNP output



5.2 SYSTEM CONFIGURATION

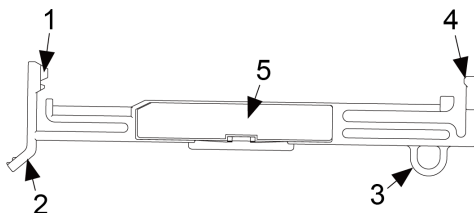
For NPN output



(Note 1) In case of a static capacitive load, it is extended to the maximum of 150 µs.

5.3 Component Names

■ Maintenance Actuator (SG-PK-M1 / SG-PK-M2)



	Name	Function
1	Attachment hook (TOP side)	This hook is for attaching the maintenance actuator onto the switch body. (TOP side)
2	Release lever	This is used when removing the maintenance actuator. Pressing it inwards will release the attachment hook from the switch body.
3	Keyring hole	This can be used to attach an object like a name tag with a keyring to the actuator. (Note 1)
4	Attachment hook (BOTTOM side)	This hook is for attaching the maintenance actuator onto the switch body. (BOTTOM side)
5	Model inscription	The model is inscribed to indicate overall maintenance type or individual maintenance type.

(Note 1) If an object attached using the keyring hole is too heavy, it may affect the mounting to the switch body. Please be aware of this.

5.4 Installation Conditions

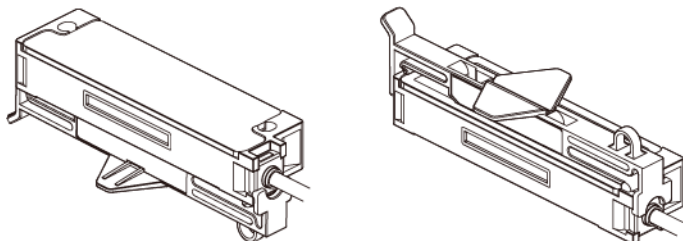
5.4 Installation Conditions

When mounting the maintenance actuator onto the switch body, be aware of the following items.

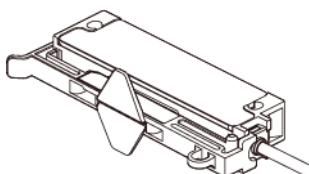
5.4.1 Orientation of Switch Body and Maintenance Actuator

■ Correct mounting orientation

When mounting to a compact type switch

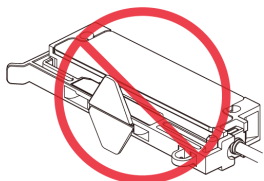


When mounting to a visible type switch

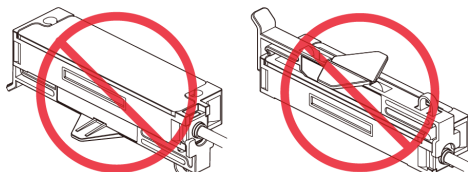


■ Incorrect mounting orientation

When mounting to a compact type switch



When mounting to a visible type switch

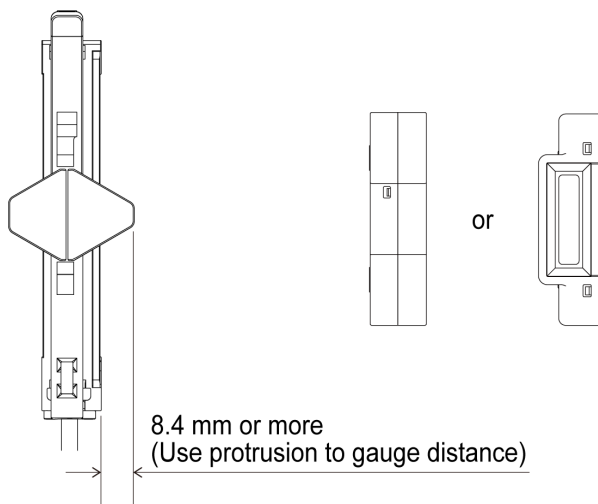


5.4.2 Mutual Interference

5.4 Installation Conditions

When the normal actuator is brought near the switch, there is a danger of mutual interference causing a malfunction. Be sure to keep the normal actuator outside of the switch's operation range when using a maintenance actuator.

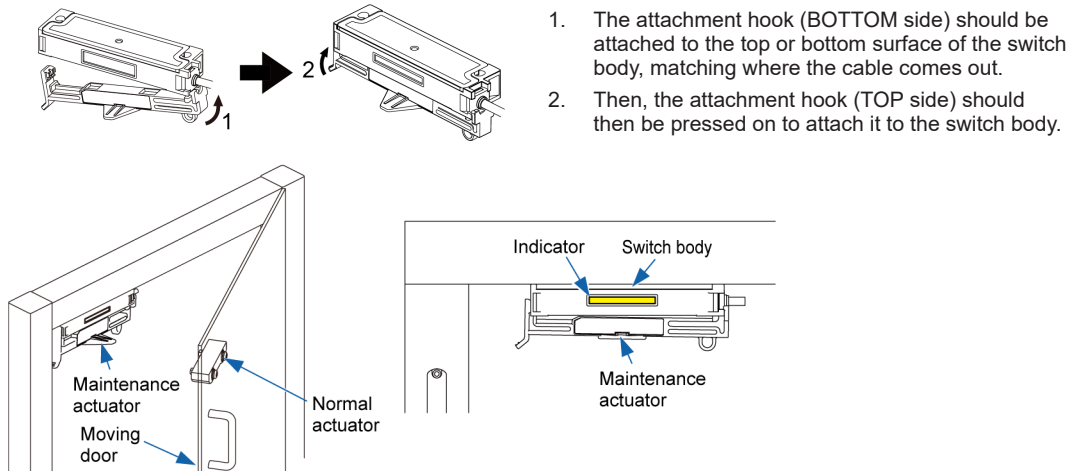
As shown in the figure below, keep a distance so that the normal actuator does not touch the protrusion of the maintenance actuator.



5.5 How to mount

5.5 How to mount

5.5.1 When using with a compact type switch

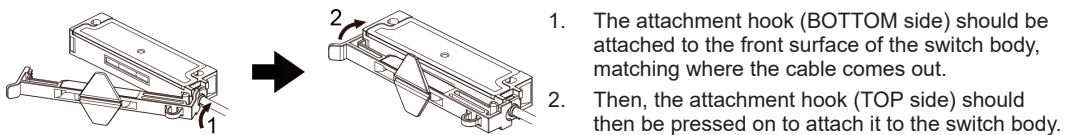


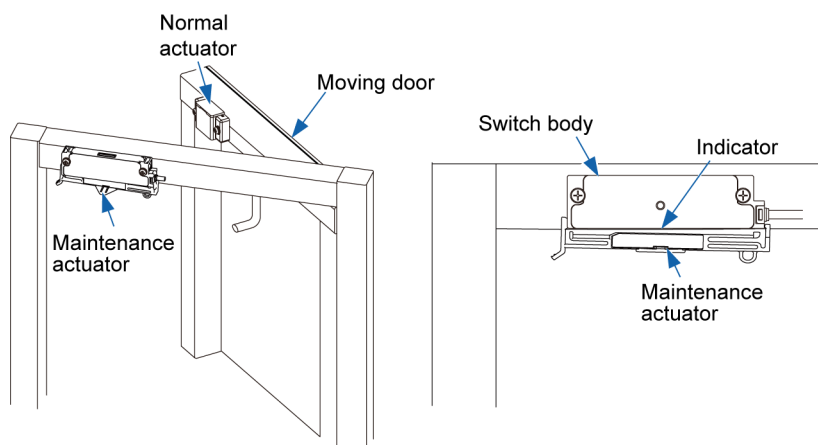
- Be sure the normal actuator is not detected at the same time.



- Be careful that the maintenance actuator does not collide with a moving door.

5.5.2 When using with a visible type switch





- Be sure the normal actuator is not detected at the same time.



- Be careful that the maintenance actuator does not collide with a moving door.

5.6 Control output and indicator lights

5.6 Control output and indicator lights

When the maintenance actuator is attached to the switch body, the switch body's OSSD output operation and indicator operation changes.

This allows the switch body to operate in a maintenance state.

Operation differs between the overall maintenance type (SG-PK-M1) and individual maintenance type (SG-PK-M2).

The output operation and indicator operation of the switch body when used with each maintenance actuator is as follows.

WARNING



- Using a maintenance actuator incorrectly can lead to an accident. Be sure to understand the operation of the system when using a maintenance actuator to use maintenance actuators correctly.

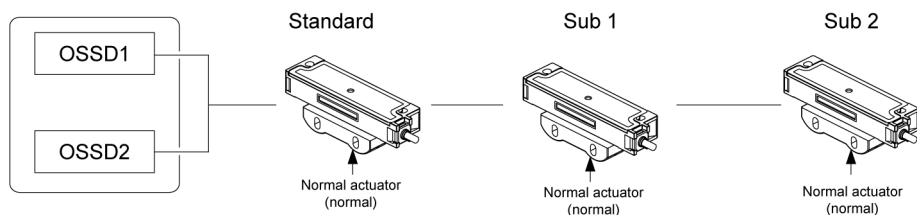


Info.

- A maintenance actuator can be enabled for up to 12 consecutive hours. After 12 hours, OSSD1 / OSSD2 turn OFF, and the switch body indicator will blink (yellow / red).
To use again, the maintenance actuator must be removed and mounted once more.

5.6.1 Output and indicator operation

The switch body OSSD output and indicator operation when using overall maintenance type or individual maintenance type actuators is explained here using an example system with three units connected together.



When using overall maintenance type actuators

Mounting an overall maintenance type actuator to a (standard) switch body will shift the mode of the entire system, including sub switches connected to the standard unit. (Indicator: lit in yellow)

With the mode shifted, OSSD output will not change even if a sub door is opened. (The indicator of opened doors will change to be lit in red)

■ **Normal status (Door closed status)**

- Indicator: Standard / Sub 1 / Sub 2: lit in green
- OSSD: OSSD1 / OSSD2: ON

■ Standard door in open state

- Indicator: Standard: blinking in red, Sub 1: blinking in green, Sub 2: blinking in green
- OSSD: OSSD1 / OSSD2: OFF

■ With a maintenance actuator mounted to a standard unit

- Indicator: Standard / Sub 1 / Sub 2: lit in yellow
- OSSD: OSSD1: ON / OSSD2: OFF

■ Sub 1 door in open state

- Indicator: Standard: lit in yellow, Sub 1: lit in red, Sub 2: lit in yellow
- OSSD: OSSD1: ON / OSSD2: OFF

■ Sub 2 door in open state

- Indicator: Standard: lit in yellow, Sub 1: lit in yellow, Sub 2: lit in red
- OSSD: OSSD1: ON / OSSD2: OFF

■ When a mounted maintenance actuator on a standard unit is removed (with Sub 1 and Sub 2 doors closed)

- Indicator: Standard: lit in red, Sub 1: blinking in green, Sub 2: blinking in green
- OSSD: OSSD1 / OSSD2: OFF













■ When a maintenance actuator has been mounted to a standard unit for over 12 hours

- Indicator: Standard: blinking in yellow / red, Sub 1: blinking in yellow / red, Sub 2: blinking in yellow / red
- OSSD: OSSD1 / OSSD2: OFF










i Info.

- The indicators use two types of red blinking. For details, refer to the list of indicator operations when using an individual maintenance type actuator.

Indicator operations when using overall maintenance type actuators

Mode	Standard			Sub 1			Sub 2			OSSD1	OSSD2
	Actuator	Detection Status	Indicator	Actuator	Detection Status	Indicator	Actuator	Detection Status	Indicator		
Normal	Normal	Detection		Normal	Detection		Normal	Detection		ON	ON
	Normal	Not detected		Normal	Detection		Normal	Detection		OFF	OFF
Overall Maintenance	Maintenance	Detection		Normal	Detection		Normal	Detection		ON	OFF
	Maintenance	Detection		Normal	Not detected		Normal	Detection		ON	OFF

5.6 Control output and indicator lights

Mode	Standard			Sub 1			Sub 2			OSSD1	OSSD2
	Actuator	Detection Status	Indicator	Actuator	Detection Status	Indicator	Actuator	Detection Status	Indicator		
	Maintenance	Detection		Normal	Detection		Normal	Not detected		ON	OFF
Normal	Maintenance	Not detected		Normal	Detection		Normal	Detection		OFF	OFF
Overall Maintenance (After 12 hours) (Note 1)	Maintenance	Detection		Normal	Detection		Normal	Detection		OFF	OFF

(Note 1) A maintenance actuator can be enabled for up to 12 consecutive hours. After 12 hours, OSSD1 turns OFF, and the switch body indicator will blink (yellow / red). To use again, the maintenance actuator must be removed and mounted once more.

When using individual maintenance type actuators

Mounting an individual maintenance type actuator to a (standard or sub) switch body will shift the mode of the entire connected system, including the mounted switch body. (Indicator: lit in yellow)

With the mode shifted, opening a door other than ones mounted with a maintenance actuator changes OSSD output to an abnormal open state. Indicators of open doors will be lit in red, and other doors will alternate blinking in yellow / red.

■ Normal status (Door closed status)

- Indicator: Standard / Sub 1 / Sub 2: lit in green
- OSSD: OSSD1 / OSSD2: ON

■ Sub 1 door in open state

- Indicator: Standard: blinking in green, Sub 1: lit in red, Sub 2: blinking in green
- OSSD: OSSD1 / OSSD2: OFF

■ With a maintenance actuator mounted to a Sub 1 unit

- Indicator: Standard / Sub 1 / Sub 2: lit in yellow
- OSSD: OSSD1: OFF / OSSD2: ON

■ Standard door in open state

- Indicator: Standard: lit in red, Sub 1: blinking in yellow / red, Sub 2: blinking in yellow / red
- OSSD: OSSD1 / OSSD2: OFF

■ **When a maintenance actuator mounted to a Sub 1 unit is removed**

- Indicator: Standard: blinking in yellow / red, Sub 1: lit in red, Sub 2: blinking in yellow / red
- OSSD: OSSD1 / OSSD2: OFF

■ **When a maintenance actuator is mounted to a Sub 1 unit for over 12 hours**

- Indicator: Standard: blinking in yellow / red, Sub 1: blinking in yellow / red, Sub 2: blinking in yellow / red
- OSSD: OSSD1 / OSSD2: OFF

Indicator operations when using individual maintenance type actuators

Mode	Standard			Sub 1			Sub 2			OSSD1	OSSD2
	Actuator	Detection status	Indicator	Actuator	Detection status	Indicator	Actuator	Detection status	Indicator		
Normal	Normal	Detection		Normal	Detection		Normal	Detection		ON	ON
	Normal	Detection		Normal	Not detected		Normal	Detection		OFF	OFF
Individual Maintenance	Normal	Detection		Maintenance	Detection		Normal	Detection		OFF	ON
	Normal	Not detected		Maintenance	Detection		Normal	Detection		OFF	OFF
	Normal	Detection		Maintenance	Not detected		Normal	Detection		OFF	OFF
Individual Maintenance (After 12 hours) (Note 2)	Normal	Detection	 (Note 3)	Maintenance	Detection	 (Note 3)	Normal	Detection	 (Note 3)	OFF	OFF

(Note 1) Blinking yellow / red in a 0.5 sec cycle (when an individual maintenance type actuator is detected, but one of the switch bodies is not detecting an actuator)

(Note 2) A maintenance actuator can be enabled for up to 12 consecutive hours. After 12 hours, OSSD2 turns OFF, and the switch body indicator will blink (yellow / red). To use again, the maintenance actuator must be removed and mounted once more.

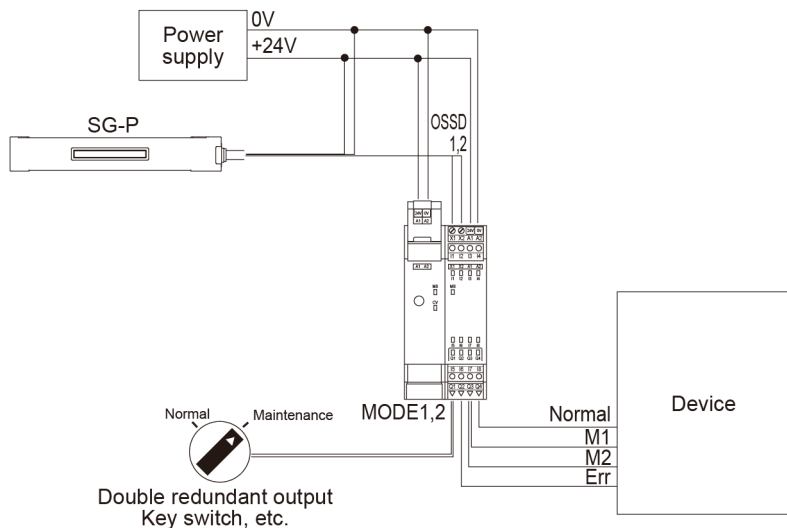
(Note 3) Flashing yellow: 2.5 sec / red: 0.5 sec (12 hours have passed since the maintenance actuator was detected)

5.7 Example of connection to a safety PLC

5.7 Example of connection to a safety PLC

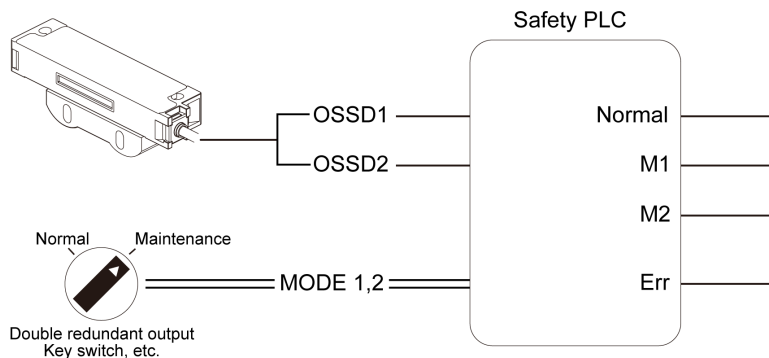
An example of connection with safety PLC is explained using the following figure.

■ Example of connection to a safety PLC



5.7.1 Examples of the relationships of safety PLC input / output

Set the relationships of safety PLC input / output as shown below.



(Note 1) Use a type of safety PLC that can independently detect OSSD1 and OSSD2.

	Actuator detection status	Normal actuator	SG-PK-M1	SG-PK-M2
PLC input	(Key switch output) MODE 1,2	Normal	Maintenance	Maintenance
	(SG-P output) OSSD1	ON / OFF	ON	OFF
	(SG-P output) OSSD2	ON / OFF	OFF	ON

5.7 Example of connection to a safety PLC

PLC output	Normal	ON	OFF	OFF
	M1	OFF	ON	OFF
	M2	OFF	OFF	ON
	Err	OFF(No te 1)	OFF	OFF

(Note 1) When MODE1,2 is normal, if an OSSD mismatch occurs, an error will be output by the SG-PK-M as a misdetection, disconnection, or sensor failure.

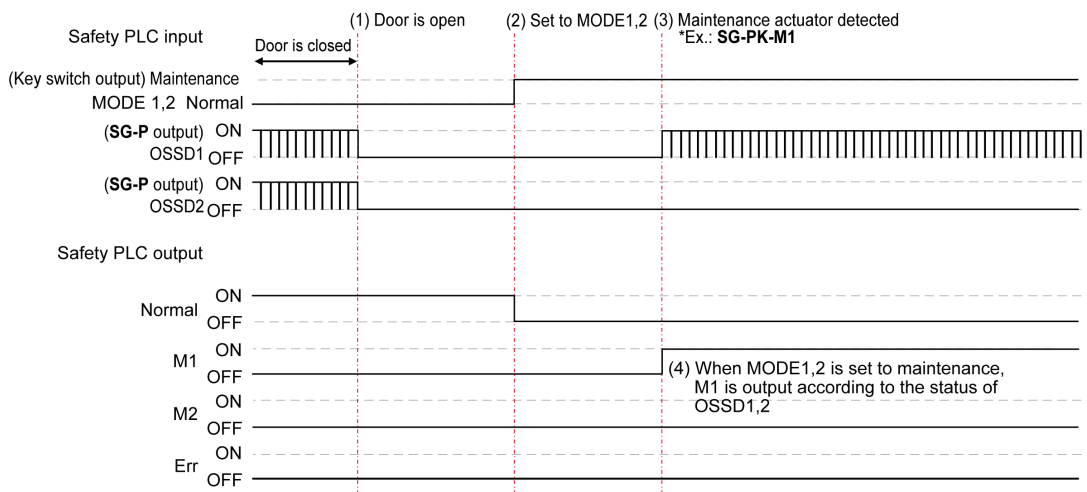
5.7.2 Procedure for switching between maintenance mode and normal mode

Switching to maintenance mode

1 2 Procedure

1. Open the door and set both OSSD1 and OSSD2 to OFF.
2. Set input of MODE1,2 to maintenance mode, canceling normal mode.
3. Mount the **SG-PK-M1** or **SG-PK-M2** to output the respective OSSD.
4. Confirm the OSSD status and output M1 or M2.

Time chart



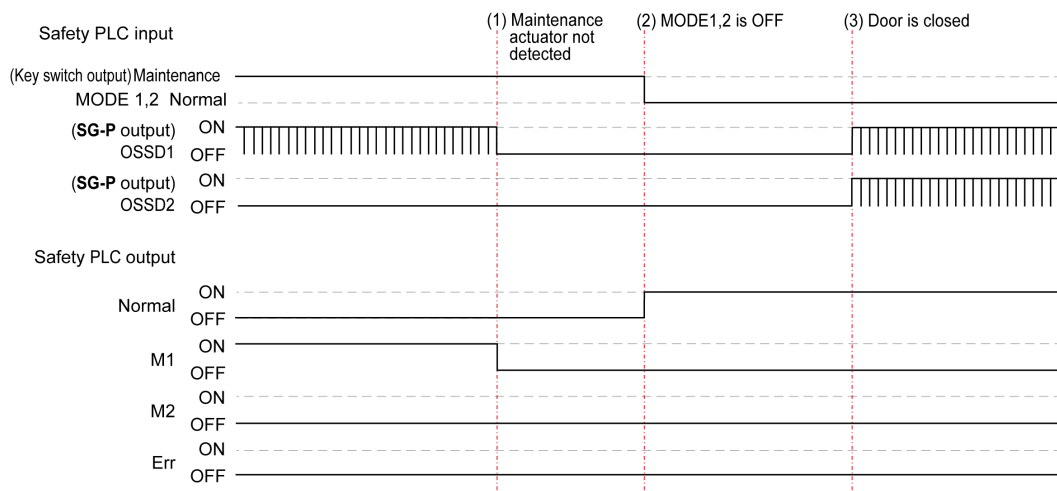
5.7 Example of connection to a safety PLC

Switching to normal mode

1 2 Procedure

1. Set the **SG-PK-M1** or **SG-PK-M2** to a non-detected state, and set the respective OSSD to OFF.
2. Set input of MODE1,2 to normal mode, canceling maintenance mode.
3. Close the door, and set both OSSD1 and OSSD2 to ON.

Time chart



(Note 1) When MODE1,2 is in maintenance mode, OSSD1 and OSSD2 double-checking is disabled.

(Note 2) If a **SG-PK-M2** is detected, OSSD1 / OSSD2 and M1 / M2 operation is reversed.

6 Maintenance

6.1 When Performing Maintenance	6-2
6.2 Daily Inspection.....	6-3
6.3 Periodic Inspection.....	6-4
6.4 Inspection after Maintenance on the Equipment where this Device Is Used.....	6-5

6.1 When Performing Maintenance

6.1 When Performing Maintenance

When performing maintenance, observe the following points.

- If you discover an abnormal condition, refer to "[7 Troubleshooting](#)" and inform your technician.
- If you are unsure what action to take, contact our office.
- Make a copy of the checklist, put a checkmark after checking each item, and retain the checklist.

6.2 Daily Inspection

WARNING



- Before starting work, inspect the following items and verify that there are no abnormalities. Operating this device without performing the inspection or without removing the abnormal condition may cause death or serious injury.

■ Checklist (daily inspection)

Check column	Inspection item
□	The switch body and the actuator are mounted according to the mounting and wiring specifications and the door and other structures where they are mounted are installed according to the installation conditions.
□	The door is not deformed or warped.
□	Check each door to confirm that the machine stops when the door opens.
□	There is no change in the installation environment that may affect the results of the risk assessment performed before this device was installed.
□	If seal was applied to the mounting screw, the seal must remain unchanged.
□	There is no scratch, dirt, or damage on the switch body or actuator.
□	There is no scratch, bent, or damage in the wiring.

6.3 Periodic Inspection

6.3 Periodic Inspection

WARNING



- According to the periodic inspection frequency as specified in ISO 14119, inspect the following items and verify that there are no abnormalities. Operating this device without performing the inspection or without removing the abnormal condition may cause death or serious injury.

■ **Inspection frequency**

SIL3 / PL_e: At least once a month, SIL2 / PL_d: At least once a year

Checklist (periodic inspection)

Check column	Inspection item
<input type="checkbox"/>	The structure of the machine does not prevent any safety mechanisms from causing the machine to stop or to make an emergency stop.
<input type="checkbox"/>	No modification has been made in the machine control system that obstructs the safety mechanisms.
<input type="checkbox"/>	There is no change in the installation environment of the switch body, the actuator and the door where they are mounted.
<input type="checkbox"/>	Check each door to confirm that the machine stops when the door opens.
<input type="checkbox"/>	No screws or connectors related to the device are loose.
<input type="checkbox"/>	There is no scratch, dirt, or damage on the maintenance actuator.
<input type="checkbox"/>	There are no changes to the installation procedure or operation.

6.4 Inspection after Maintenance on the Equipment where this Device Is Used

6.4 Inspection after Maintenance on the Equipment where this Device Is Used

When the status of this device is as described below, inspect all items listed in "[6.2 Daily Inspection](#)" and "[6.3 Periodic Inspection](#)".

1. When changes are made to the installation, wiring, or functions of the device.
2. When the switch body or actuator is replaced.
3. When changes are made to the settings of the safety devices such as the safety controller.
4. When an abnormal condition is noticed during operation of this device.

(MEMO)

7 Troubleshooting

7.1 Troubleshooting	7-2
---------------------------	-----

7.1 Troubleshooting

7.1 Troubleshooting

Solutions to frequently encountered problems and errors are described below.

i Info.

- Check the wiring.
- Check the voltage and capacity of the power supply.
- If the indicator blinks in red, check the number of blinkings after the indicator remains unlit for approximately two seconds. Error contents are different depending on the number of blinkings.

Symptom	Indicator	Number of blinkings	Cause	Solution	Reference page	
The OSSD does not turn ON.	Lights red	-	The actuator is not detected correctly.	Move the actuator to within the sensing range.	"P. 8-2"	
			The actuator is faulty.	Replace the actuator.	-	
			Affected by the surrounding metal.	Check the installation environment around this device.	"P.3-2"	
			Affected by the interference from other sensors.	Check the installation environment around this device.	"P.3-4"	
			The distance between the switch body and the actuator is longer than the specified operating distance Sao (OFF→ON).	Make sure that the distance between the switch body and the actuator within the specification range.	"P. 8-2"	
	Alternately blinking red and yellow	-	When using a high-code model, an actuator not paired is detected.	Make the switch body detect the paired actuator.	"P.4-5"	
	Blinks red ^(Note 1)	1	1	Switch body is faulty.	Replace the switch body.	-
			2	The number of connectable switch bodies (sub) is exceeded.	Connect switch bodies (sub) up to the maximum of 29 units.	"P.2-6"
			3	The check input / check output wiring is short circuited or disconnected.	Correctly wire the check input (pink) and check output (gray) lines according to the wiring diagram.	"P.3-8"
				The check input / check output wiring is not correct.	Correctly wire the check input (pink) and check output (gray) lines according to the wiring diagram.	"P.3-8"
				Two or more switch bodies (standard) are connected.	When connecting multiple switch bodies, use sub units for the second unit onwards.	"P.2-6"
			4	Made a mistake in the teaching procedure.	Refer to "4.3.2 Teaching Setting" and perform teaching again.	"P.4-6"
				The time elapsed beyond the specified time during teaching.	Refer to "4.3.2 Teaching Setting" and perform teaching again.	"P.4-6"

Symptom	Indicator	Number of blinkings	Cause	Solution	Reference page
		5	The OSSD wiring is short circuited. (Standard unit only)	Correctly wire the OSSD1 (black) and OSSD2 (white) lines according to the wiring diagram.	"P.3-8"
			The OSSD wiring is not correct. (Standard unit only)	Correctly wire the OSSD1 (black) and OSSD2 (white) lines according to the wiring diagram.	"P.3-8"
			The check input / check output wiring is short circuited or disconnected. (Standard unit only)	Correctly wire the check input (pink) and check output (gray) lines according to the wiring diagram.	"P.3-8"
			The check input / check output wiring is not correct. (Standard unit only)	Correctly wire the check input (pink) and check output (gray) lines according to the wiring diagram.	"P.3-8"
		8	The power supply voltage supplied to this device is beyond the usage range.	Use the power supply unit with the supply voltage of 24 VDC +10%/ -20%.	"P.8-2"
		9	Affected by the noise. The detecting condition (position, distance) is unstable during pairing.	Check the noise environment around this device.	-
10	Check the installation condition, wiring, power supply voltage and power supply capacity. If the device does not operate properly even after checking, please contact our office.				
The indicator does not light at all.	Turns OFF	-	The power wiring is short circuited or disconnected.	Correctly wire the check +V (brown) and 0V (blue) lines according to the wiring diagram.	"P.3-8"
			Power is not supplied.	Check if the capacity of the power supply is sufficient. Correctly connect the power supply unit.	"P.8-2"
			The power supply voltage is not within the specifications.	Use the power supply unit with the supply voltage of 24 VDC +10%/ -20%.	"P.8-2"
			Switch body is faulty.	Replace the switch body.	-
The OSSD does not turn OFF.	-	-	The distance between the switch body and the actuator is longer than the specified operating distance Sar (ON→OFF).	Make sure that the distance between the switch body and the actuator within the specification range.	"P.8-2"
The OSSD repeatedly turns ON and OFF at high speed.			The pulse signal (OFF) that is periodically generated by the OSSD is recognized by a connected device.	Connect a device that does not detect the periodical pulse signal (OFF).	-
The switch body does not detect the actuator.			An actuator manufactured by other company is used.	Use an SG-P Series actuator.	-

7.1 Troubleshooting

Symptom	Indicator	Number of blinkings	Cause	Solution	Reference page
The indicator is lit in yellow and momentarily blinks red.	Lit in yellow, momentarily blinks red	-	The maintenance actuator has been mounted for over 12 hours.	Remove the maintenance actuator and mount it once more.	-
The indicator is lit in yellow.	Lit in yellow	-	A maintenance actuator has been left mounted somewhere.	Remove all maintenance actuators from all switch bodies.	

(Note 1) The following sequence is repeated: unlit for approximately two seconds, blinking in red for the number of times that indicates error contents, and then unlit for approximately two seconds.

Note

- If the device does not operate properly even after checking and taking actions as described above, please contact our office.

8 Specifications and Dimensions

8.1 Specifications	8-2
8.1.1 Model No.....	8-2
8.1.2 Individual Specifications.....	8-2
8.1.3 Safety-related parameters	8-5
8.2 Dimensions	8-6
8.2.1 Compact Type	8-6
8.2.2 Visible Type.....	8-8
8.2.3 Maintenance Actuator	8-9
8.2.4 I/O Circuits	8-12

8.1 Specifications

8.1 Specifications

8.1.1 Model No.

SG-P□□-□-□

<OSSD output specifications>(Note 1)
P : PNP input, N : NPN output

<Standard / Sub specifications>
M : Standard, S : Sub

< Installation method>
10 : Compact type
20 : Visible type

<Low code / High code>
10 : Low code, 20 : High code

(Note 1) Provided only on the **SG-P□□-M** standard unit.

8.1.2 Individual Specifications

■ Switch body

Model	Standard PNP output	Standard NPN output	Sub
	SG-P□□-M-P	SG-P□□-M-N	SG-P□□-S
Operating distance Front / Side	Sao (OFF→ON): 5 mm, Sar (ON→OFF): 15 mm		
Power supply voltage	24V DC +10%/ -20% ripple (P-P) of 10% or less		
Current consumption	30 mA or less		20 mA or less
Control output (OSSD1 / 2) ^(Note 2)	PNP transistor • Open collector 2 outputs	NPN transistor • Open collector 2 outputs	-
	Maximum source current: 100 mA	Maximum sink current: 100 mA	-
	<ul style="list-style-type: none"> Applied voltage: Same as the power supply voltage (PNP:between control output and +V, NPN:between control output and 0V) Residual voltage: 2V or less (source current and sink current: 100 mA) (excluding voltage drop due to cable) Leakage current: 0.2 mA or less (including power OFF state) Maximum load capacity: 0.47 μF Load wiring resistance: 3 Ω or less 		-
Operation mode (output operation)	When the actuator is detected (safe state): ON When the actuator is not detected (unsafe state or lockout state): OFF		-

8.1 Specifications

Model	Standard PNP output	Standard NPN output	Sub
	SG-P□□-M-P	SG-P□□-M-N	SG-P□□-S
	When the switch body (sub) does not detect actuator (series connection): OFF		
Protection circuit (short-circuit protection)	Incorporated		-
Response time	For single unit: ON⇒OFF 100 ms or less For single unit: OFF⇒ON 100 ms or less For multiple units: Time for single unit + 5 ms × (number of connected units - 1)		
Check input and output	Dedicated communication line between the switch body (standard) and the switch body (sub) ^(Note 3) *It is not for external input and output. (voltage range 0 V to 5 V DC)		
Number of units connected in series	30 units or less (Standard 1 unit, Sub 29 units)		
Contamination level	3		
Protective structure	IP65 (IEC)		
Ambient temperature	-10 to +55°C (No condensation or icing), storage: -25 to +65°C		
Ambient humidity	30 to 85% RH, storage: 30 to 95% RH		
Vibration resistance	Malfunction resistance: 10 to 55 Hz, 1 mm double amplitude, 2 hours each in X, Y, and Z directions		
Shock resistance	300 m/s ² (approx. 30 G), 3 times each in X, Y, and Z directions		
Withstand voltage	1,000 VAC for one minute (between all supply terminals connected together and enclosure)		
Insulation resistance	20 MΩ or higher using 500 VDC megger (between all supply terminals connected together and enclosure)		
Material	Switch body: PBT, PC, stainless steel, EPDM Actuator: PBT, PC (visible type only)		
Cable	6-core cabtyre cable Cable length: 5 m	4-core cabtyre cable Cable length: 3 m	
Connected cable length	Maximum cable length: 20 m Series connection: Total cable length: 100 m		
Mounting torque	1.2 N·m or less		
Weight	<ul style="list-style-type: none"> Compact type Switch body (standard): Approx. 180 g, Switch body (sub): Approx. 110 g, Actuator: Approx. 10 g Visible type Switch body (standard): Approx. 180 g, Switch body (sub): Approx. 120 g, Actuator : Approx. 20 g 		
Packing weight	<ul style="list-style-type: none"> Compact type SG-P□10-M-□: Approx. 260 g, SG-P□10-S-□: Approx. 190 g Visible type SG-P□20-M-□: Approx. 270 g, SG-P□20-S-□: Approx. 210 g 		

8.1 Specifications

(Note 1) Unless otherwise specified, the measurement values are for the ambient temperature of +23°C.

(Note 2) Provided only on the **SG-P□□-M** standard unit.

(Note 3) When using the device as a single unit, connect the check input with the check output.

■ Maintenance Actuator

Model No.	SG-PK-M1	SG-PK-M2
Ambient temperature	0 to +40 °C (with no condensation) (Storage: -25 to +65 °C)	
Ambient humidity	35 to 85% RH (Storage: 35 to 85% RH)	
Vibration resistance	Withstands vibrations of 10 to 55 Hz Double amplitude: 1 mm XYZ: 2 hours in each direction	
Shock resistance	Withstands 300 m/s ² (Approx. 30 G) XYZ: 3 times in each direction	
Materials	POM (Polyacetal)	
Weight	7g	

8.1.3 Safety-related parameters

Name	Parameter	
	Standard	Sub
Mission time	20 years	
SFF	99%	99%
PFHd	2.30×10^{-10}	1.00×10^{-10}
DC avg	99%	99%
Performance level	PLe	
Category	4	
SIL	3	
Risk time	200 msec	
HFT	1	
Sub system type	B	

(Note 1) Values are for a normal actuator.

■ Transponder specifications

Operating frequency: 125 kHz

Max. transmitter output: 3.33 μ W

8.2 Dimensions

8.2 Dimensions

8.2.1 Compact Type

■ Switch body

● Standard

SG-P1010-M-P / Low code, PNP output

SG-P1010-M-N / Low code, NPN output

SG-P2010-M-P / High code, PNP output

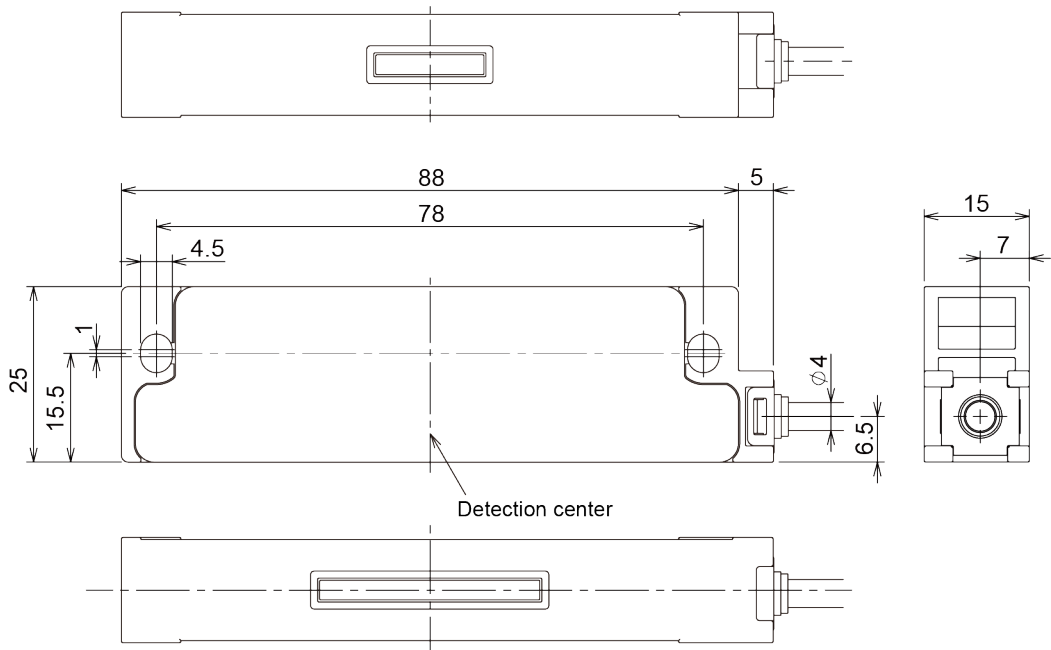
SG-P2010-M-N / High code, NPN output

● Sub

SG-P1010-S / Low code

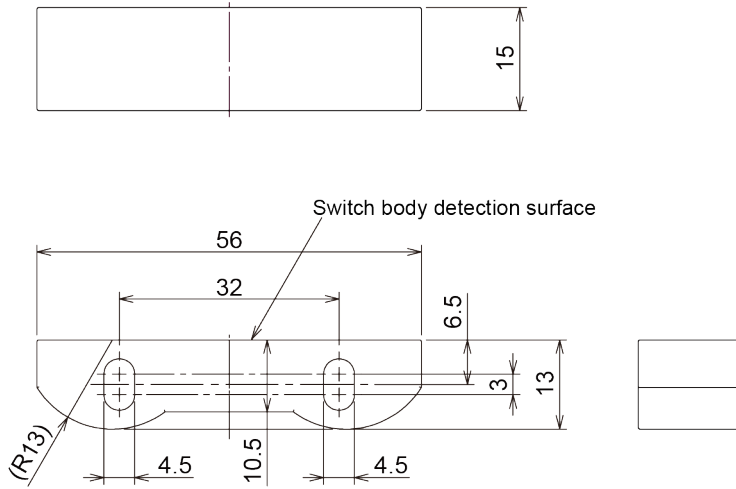
SG-P2010-S / High code

Unit: mm



■ Actuator

Unit: mm



8.2 Dimensions

8.2.2 Visible Type

■ Switch body

- Standard

- SG-P1020-M-P** / Low code, PNP output

- SG-P1020-M-N** / Low code, NPN output

- SG-P2020-M-P** / High code, PNP output

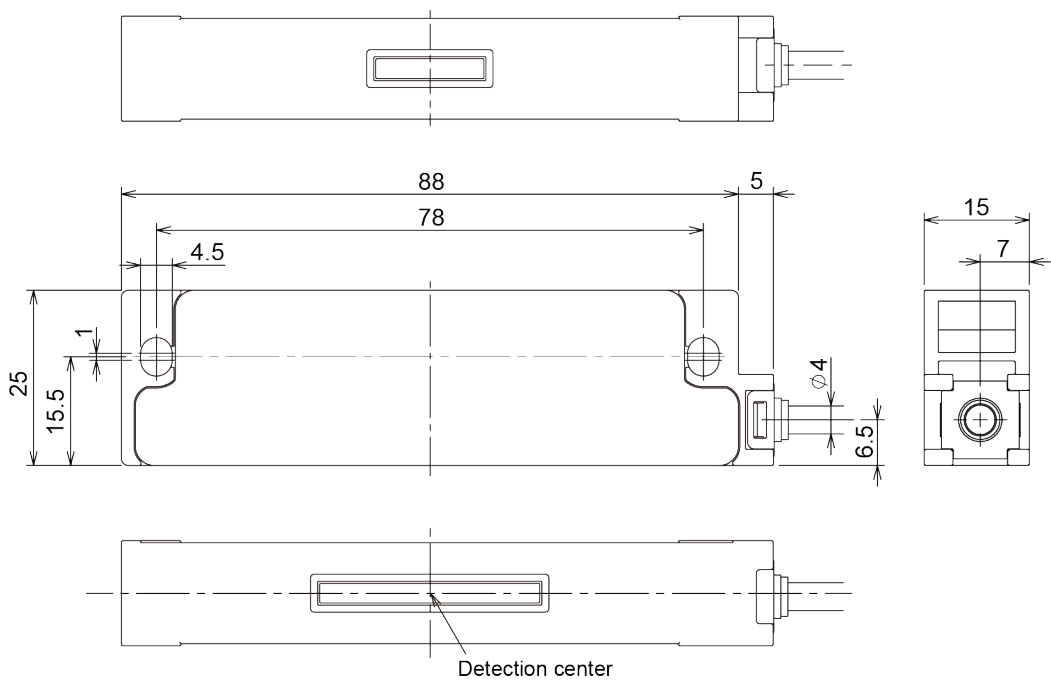
- SG-P2020-M-N** / High code, NPN output

- Sub

- SG-P1020-S** / Low code

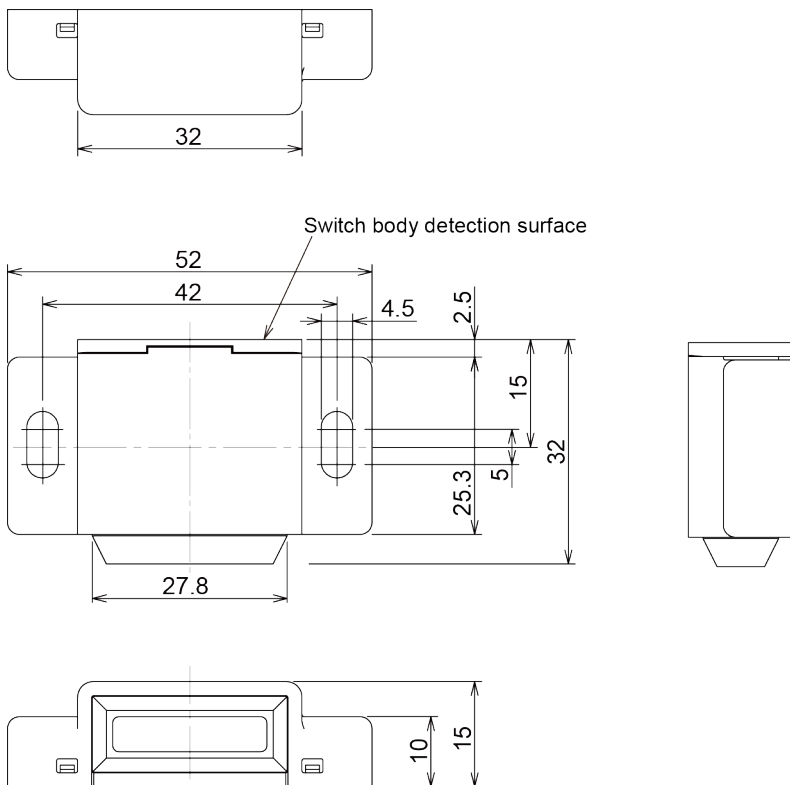
- SG-P2020-S** / High code

Unit: mm



■ Actuator

Unit: mm



8.2.3 Maintenance Actuator

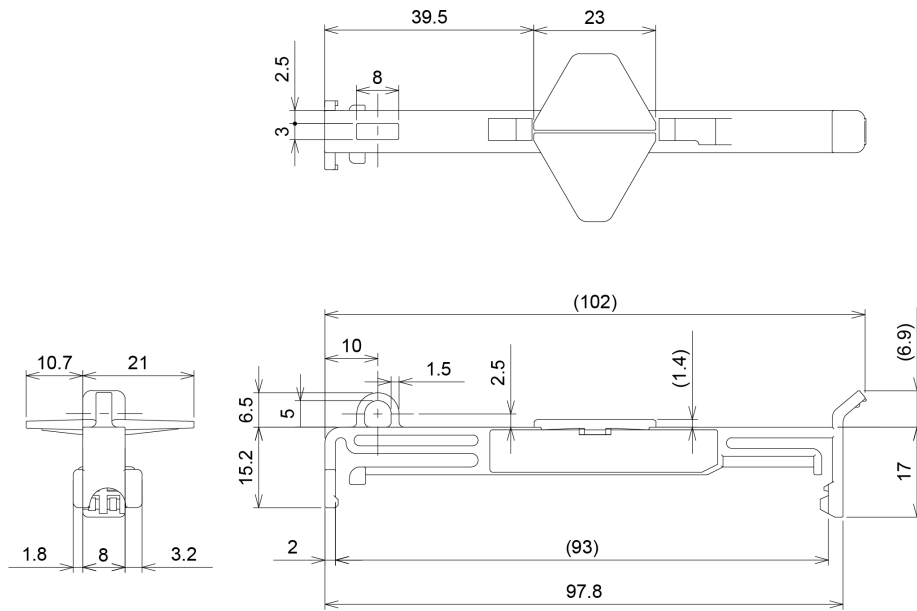
■ Actuator unit

SG-PK-M1 / Overall maintenance type

SG-PK-M2 / Individual maintenance type

Units: mm

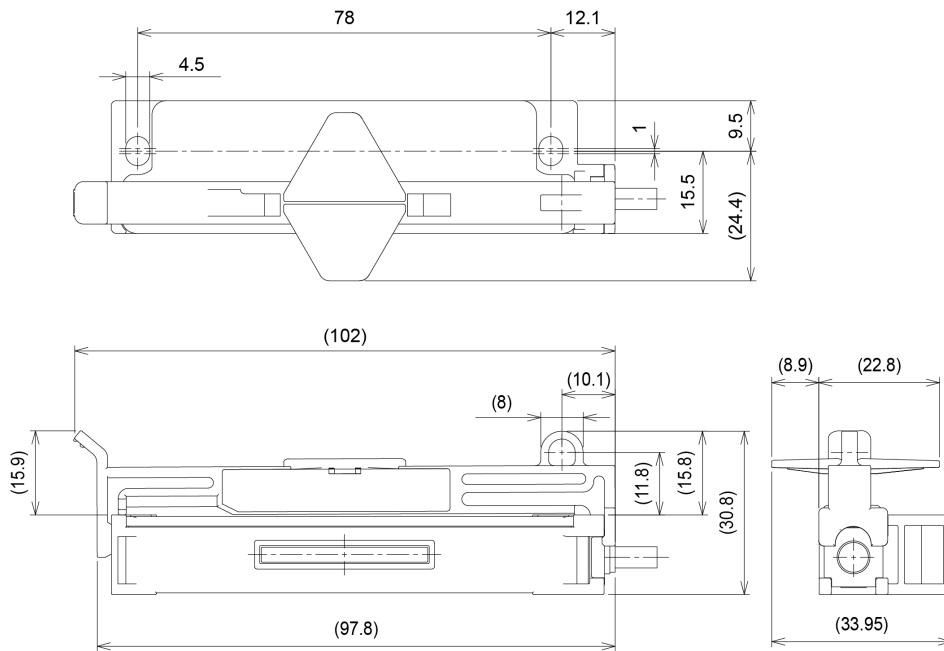
8.2 Dimensions



■ When mounting to a compact type switch

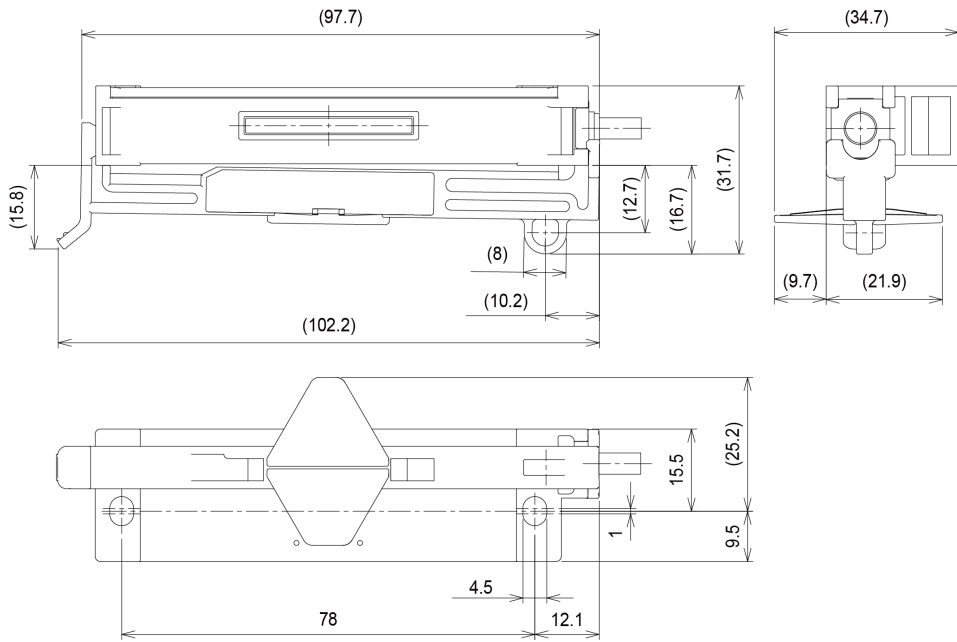
- When mounted to upper surface

Units: mm



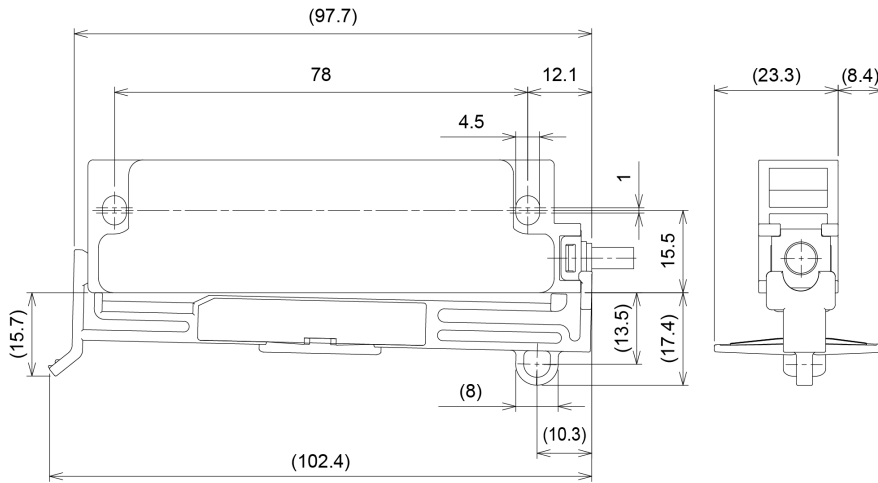
- When mounted to lower surface

Units: mm



■ When mounting to a visible type switch

Units: mm

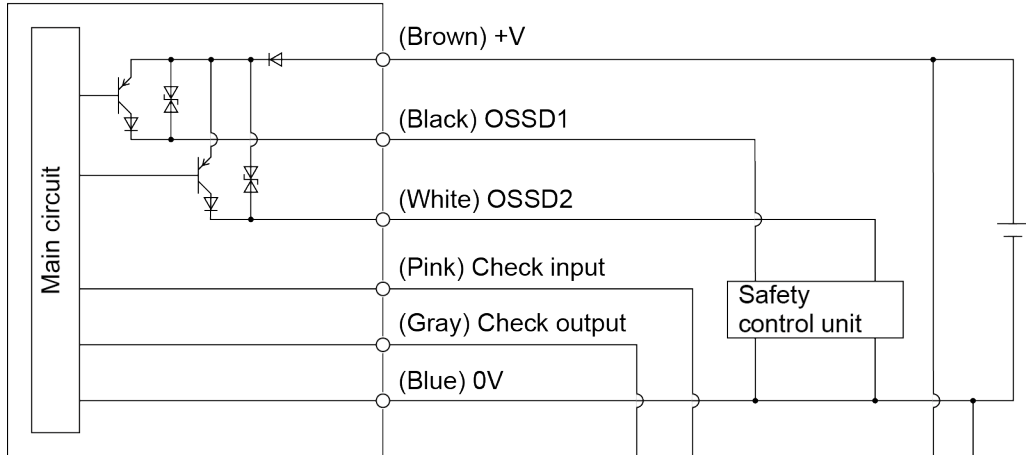


8.2 Dimensions

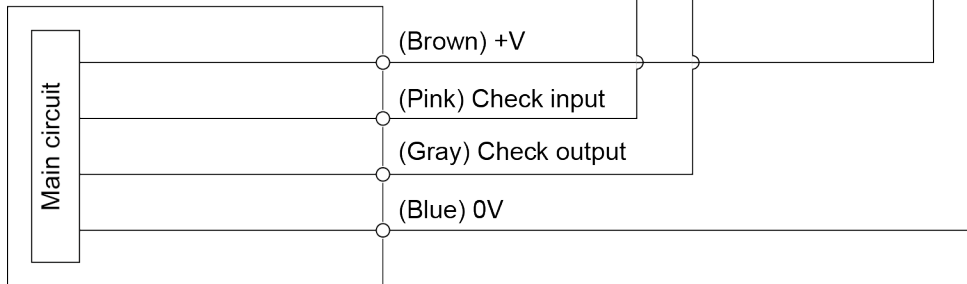
8.2.4 I/O Circuits

■ PNP output

SG-P□□-M-P(Standard)



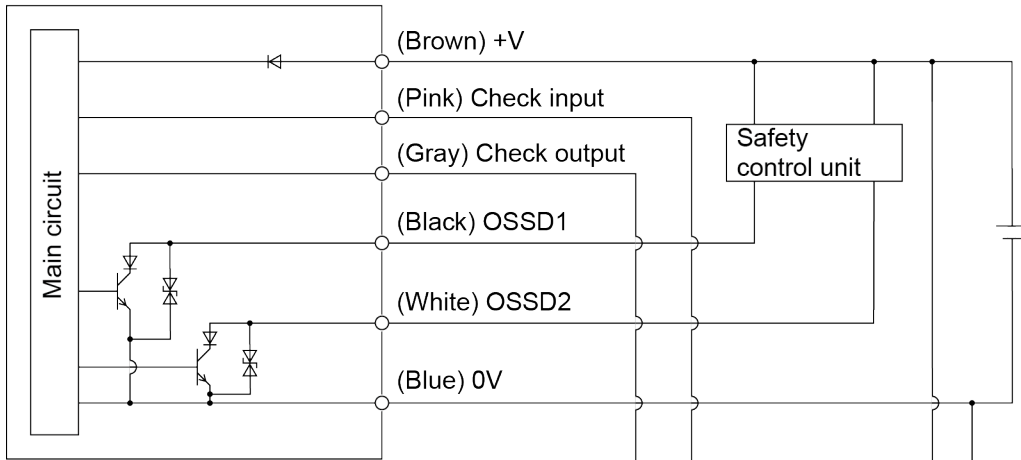
SG-P□□-S(Sub)



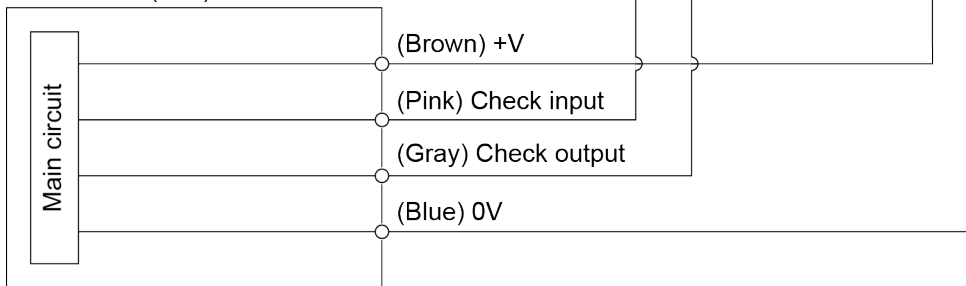
Internal circuit ← ○ → Users' circuit

■ NPN output

SG-P□□-M-N (Standard)



SG-P□□-S (Sub)



Internal circuit ← ○ → Users' circuit

(MEMO)

9 Appendix

9.1 CE Marking Declaration Conformity.....	9-2
9.2 UKCA Marking Declaration Conformity.....	9-3
9.3 Regulatory Information.....	9-4

9.1 CE Marking Declaration Conformity

9.1 CE Marking Declaration Conformity

Itemized Essentials of EU Declaration of Conformity

Manufacturer's Name:

Panasonic Industry Co., Ltd.

Manufacturer's Address:

1006, Oaza Kadoma, Kadoma-shi, Osaka 571-8506, Japan

Product Name:

Non-contact Safety Door Switch

Model Number:

SG-P Series

Trade Name:

Panasonic

Application of Council Directives :

- 2006/42/EC Machinery
- 2014/53/EU RED
- 2011/65/EU RoHS

Applicable Standards:

- | | |
|-----------------------|---------------|
| • EN 60947-5-3 | • IEC 61508-1 |
| • EN ISO 13849-1:2015 | • IEC 61508-2 |
| • EN ISO 14119 | • IEC 61508-3 |
| • EN 300 330 | • IEC 62061 |
| • EN 301 489-1 | |
| • EN 301 489-3 | |
| • EN IEC 63000 | |

Authorised Representative:

Panasonic Marketing Europe GmbH, Panasonic Testing Centre
Winsbergring 15, 22525 Hamburg, Germany

9.2 UKCA Marking Declaration Conformity

Itemized Essentials of UK Declaration of Conformity

Manufacturer's Name:

Panasonic Industry Co., Ltd.

Manufacturer's Address:

1006, Oaza Kadoma, Kadoma-shi, Osaka 571-8506, Japan

Product Name:

Non-contact Safety Door Switch

Trade Name:

Panasonic

Model Number:

SG-P Series

Statutory Instruments:

2017/1206 RE

2008/1597 Machinery

2012/3032 RoHS

Designated Standards:

- EN 60947-5-3
- EN ISO 13849-1:2015
- EN ISO 14119
- EN 300 330
- EN 301 489-1
- EN 301 489-3
- EN IEC 63000
- IEC 61508-1
- IEC 61508-2
- IEC 61508-3
- IEC 62061

Panasonic UK, a branch of Panasonic Marketing Europe GmbH
Maxis 2, Western Road, Bracknell,
Berkshire, RG12 1RT

9.3 Regulatory Information

9.3 Regulatory Information

■ For U.S.A.

Federal Communications Commission Radio Frequency Interference Statement

NOTE: This equipment has been tested and found to comply with the limits for a Class A digital device, pursuant to Part 15 of the FCC Rules. These limits are designed to provide reasonable protection against harmful interference when the equipment is operated in a commercial environment. This equipment generates, uses, and can radiate radio frequency energy and, if not installed and used in accordance with the instruction manual, may cause harmful interference to radio communications. Operation of this equipment in a residential area is likely to cause harmful interference in which case the user will be required to correct the interference at his own expense.

Warning

Changes or modifications not expressly approved by the party responsible for compliance could void the user's authority to operate the equipment.

This device complies with part 15 of the FCC Rules. Operation is subject to the following two conditions:

This device may not cause harmful interference, and this device must accept any interference received, including interference that may cause undesired operation.

Responsible Party:

Panasonic Corporation of North America
Two Riverfront Plz Newark, NJ 07102-5490
<https://na.industrial.panasonic.com>
Tech Support:(877)624-7872



■ For Canada

This device contains licence-exempt transmitter(s)/receiver(s) that comply with Innovation, Science and Economic Development Canada's licence-exempt RSS(s).

Operation is subject to the following two conditions:

1. This device may not cause interference.
2. This device must accept any interference, including interference that may cause undesired operation of the device.

RSS-310 Compliance Label:

Panasonic Industry Co., Ltd.

Model:

SG-P2020(-M-P, -M-N, -S), **SG-P1020**(-M-P, -M-N, -S), **SG-P2010**(-M-P, -M-N, -S),
SG-P1010(-M-P, -M-N, -S)

Canada 310

CAN ICES3(A) / NMB3(A)

■ For Singapore

COMPLIANCE LABEL



Revision History

Revision history	Revision date	Revision item
1st edition	February 2020	-
2nd edition	September 2020	Corrected errors.
3rd edition	December 2021	Corrected errors. Added Chapter 5 "Maintenance Actuator" Added information related to maintenance actuators
4th edition	December 2021	Addition of regulatory information. Added 1.3.2 "Radio Laws" Added 9.3 "Regulatory information" Corrected errors.
5th edition	April 2022	Added information about the indicator flashing red (10 times) in 7.1 "Troubleshooting". Corrected errors.
6th edition	September 2022	Updated Singapore compliance label in 9.3 "Regulatory Information"
7th edition	June 2023	Addition of note regarding UKCA Corrected errors.
8th edition	April 2024	Company name change. Adding available countries.
9th edition	May 2024	Change available countries. Corrected errors.
10th edition	November 2024	Change available countries.

Order Placement Recommendations and Considerations

The Products and Specifications listed in this document are subject to change (including specifications, manufacturing facility and discontinuing the Products) as occasioned by the improvements of Products. Consequently, when you place orders for these Products, Panasonic Industry Co., Ltd. asks you to contact one of our customer service representatives and check that the details listed in the document are commensurate with the most up-to-date information.

[Safety precautions]

Panasonic Industry Co., Ltd. is consistently striving to improve quality and reliability. However, the fact remains that electrical components and devices generally cause failures at a given statistical probability. Furthermore, their durability varies with use environments or use conditions. In this respect, check for actual electrical components and devices under actual conditions before use. Continued usage in a state of degraded condition may cause the deteriorated insulation. Thus, it may result in abnormal heat, smoke or fire. Carry out safety design and periodic maintenance including redundancy design, design for fire spread prevention, and design for malfunction prevention so that no accidents resulting in injury or death, fire accidents, or social damage will be caused as a result of failure of the Products or ending life of the Products.

The Products are designed and manufactured for the industrial indoor environment use. Make sure standards, laws and regulations in case the Products are incorporated to machinery, system, apparatus, and so forth. With regard to the mentioned above, confirm the conformity of the Products by yourself.

Do not use the Products for the application which breakdown or malfunction of Products may cause damage to the body or property.

- i) usage intended to protect the body and ensure security of life
- ii) application which the performance degradation or quality problems, such as breakdown, of the Products may directly result in damage to the body or property

It is not allowed the use of Products by incorporating into machinery and systems indicated below because the conformity, performance, and quality of Products are not guaranteed under such usage.

- i) transport machinery (cars, trains, boats and ships, etc.)
- ii) control equipment for transportation
- iii) disaster-prevention equipment / security equipment
- iv) control equipment for electric power generation
- v) nuclear control system
- vi) aircraft equipment, aerospace equipment, and submarine repeater
- vii) burning appliances
- viii) military devices
- ix) medical devices (except for general controls)
- x) machinery and systems which especially require the high level of reliability and safety

[Acceptance inspection]

In connection with the Products you have purchased from us or with the Products delivered to your premises, please perform an acceptance inspection with all due speed and, in connection with the handling of our Products both before and during the acceptance inspection, please give full consideration to the control and preservation of our Products.

[Warranty period]

Unless otherwise stipulated by both parties, the warranty period of our Products is one year after the purchase by you or after their delivery to the location specified by you. The consumable items such as battery, relay, filter and other supplemental materials are excluded from the warranty.

[Scope of warranty]

In the event that Panasonic Industry Co., Ltd. confirms any failures or defects of the Products by reasons solely attributable to Panasonic Industry Co., Ltd. during the warranty period, Panasonic Industry Co., Ltd. shall supply the replacements of the Products, parts or replace and/or repair the defective portion by free of charge at the location where the Products were purchased or delivered to your premises as soon as possible.

However, the following failures and defects are not covered by warranty and we are not responsible for such failures and defects.

- (1) When the failure or defect was caused by a specification, standard, handling method, etc. which was specified by you.
- (2) When the failure or defect was caused after purchase or delivery to your premises by an alteration in construction, performance, specification, etc. which did not involve us.
- (3) When the failure or defect was caused by a phenomenon that could not be predicted by the technology at purchasing or contracted time.
- (4) When the use of our Products deviated from the scope of the conditions and environment set forth in the instruction manual and specifications.
- (5) When, after our Products were incorporated into your products or equipment for use, damage resulted which could have been avoided if your products or equipment had been equipped with the functions, construction, etc. the provision of which is accepted practice in the industry.
- (6) When the failure or defect was caused by a natural disaster or other force majeure.
- (7) When the equipment is damaged due to corrosion caused by corrosive gases etc. in the surroundings.

The above terms and conditions shall not cover any induced damages by the failure or defects of the Products, and not cover your production items which are produced or fabricated by using the Products. In any case, our responsibility for compensation is limited to the amount paid for the Products.

[Scope of service]

The cost of delivered Products does not include the cost of dispatching an engineer, etc. In case any such service is needed, contact our sales representative.

Panasonic Industry Co., Ltd.

(MEMO)

Panasonic Industry Co., Ltd.

1006, Oaza Kadoma, Kadoma-shi, Osaka 571-8506, Japan
<https://industry.panasonic.com/>

Please visit our website for inquiries and about our sales network.

© Panasonic Industry Co., Ltd. 2020-2024
November, 2024

WUME-SGPUM-10