

# Actuator SG-K21S

MJE-SGK21S No.0031-74V

Thank you very much for purchasing Panasonic products. Please read this Instruction Manual carefully and thoroughly for the correct and optimum use of this product. Kindly keep this manual in a convenient place for quick reference.

## Safety Precautions

In this operation instruction sheet, safety precautions are categorized in order of importance to Warning and Caution :

### ⚠ WARNING

Warning notices are used to emphasize that improper operation may cause severe personal injury or death.

### ⚠ CAUTION

Caution notices are used where inattention might cause personal injury or damage to equipment.

## 1 Specifications

Applicable model	SG-B2 interlock switch
Weight	Approx. 125g
Mechanical durability	1,000,000 operations min.
Stroke of operation	40.0mm
Direct Opening Force	80N minimum

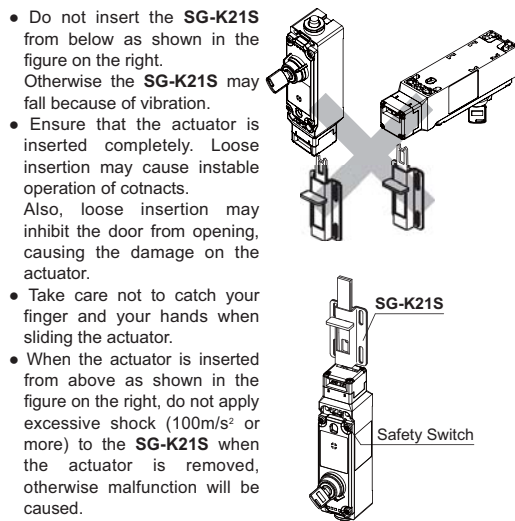
- Interlock switch is not supplied with **SG-K21S** and must be ordered separately.
- Refer to the specifications of the **SG-B2** interlock switch for the specifications of the interlock switch used.

## 2 Precautions for Operation

### ⚠ WARNING

- When using the **SG-K21S** for safety-related equipment in a control system, refer to the safety standards and regulations in each country and region depending on the application purpose of the actual machines and installations to make sure of correct operation.  
Also, perform risk assessment to make sure of safety before starting operation.

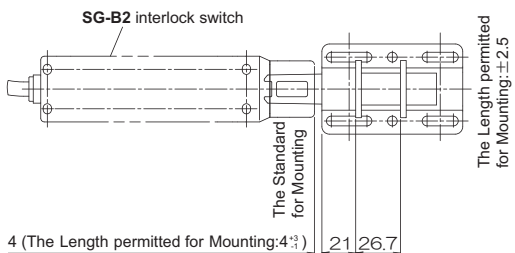
- Read the instruction sheet of the interlock switch used.
- Note the projections on the **SG-K21S** when using to prevent injury.
- Regardless of door types, do not use the **SG-K21S** as a door lock. Install a separate lock such as a metal hook.
- When the direction to insert the **SG-K21S** into the interlock switch is different from the opening/closing direction of the door, do not open the door while the **SG-K21S** is inserted into the interlock switch.
- When a worker enters the danger zone, take a measure such as using Padlock Hasp (**SG-PH2**) together so that the worker is not confined, and the machine is not started by mistake.



- Do not insert the **SG-K21S** from below as shown in the figure on the right. Otherwise the **SG-K21S** may fall because of vibration.
- Ensure that the actuator is inserted completely. Loose insertion may cause instable operation of contacts. Also, loose insertion may inhibit the door from opening, causing the damage on the actuator.
- Take care not to catch your finger and your hands when sliding the actuator.
- When the actuator is inserted from above as shown in the figure on the right, do not apply excessive shock (100m/s<sup>2</sup> or more) to the **SG-K21S** when the actuator is removed, otherwise malfunction will be caused.

## 3 Adjustment

- The standard for Mounting the actuator



### Recommended screw Tightening Torque

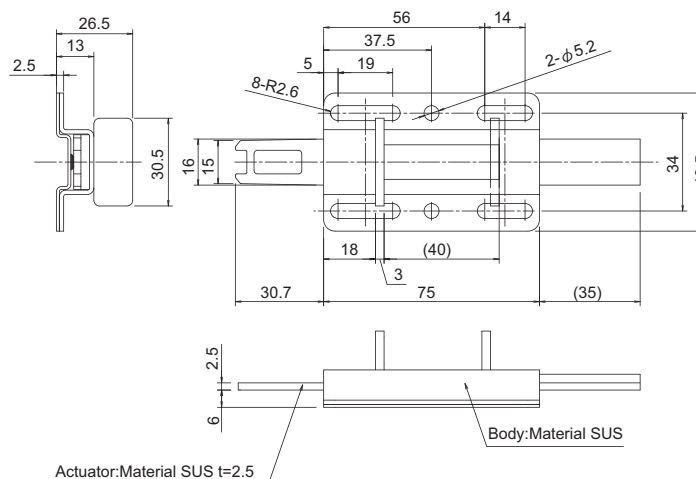
Name or Use	Screw Tightening Torque
For mounting the <b>SG-K21S</b> (M5 screw) *1	4.5~5.5 N · m

### ⚠ CAUTION

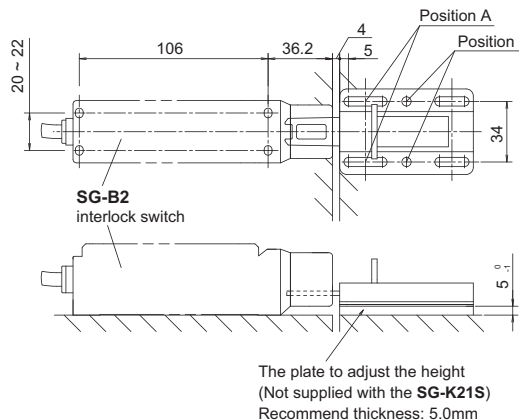
- The above recommended tightening torques of the mounting screw are the values confirmed with hex socketed head bolts. When other screws are used and tightened to a smaller torque, make sure that the screws do not become loose after mounting.

## 4 Dimensions (mm)

### • Dimension



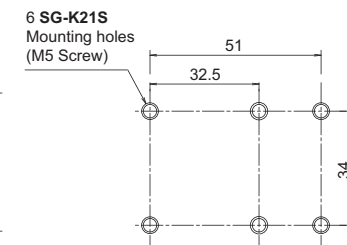
- When using with **SG-B2** interlock switch



## 5 Precaution for Disposal

- Dispose of the **SG-K21S** as an industrial waste.

### • Mounting Hole Layout



\* When using with **SG-B2** interlock switch, make holes on the height adjustment plate and fixate the actuator on at least four positions (positions A and B) shown above, using mounting screws.

Panasonic Industrial Devices SUNX Co., Ltd.

<http://panasonic.net/id/pidsx/global>

Overseas Sales Division (Head Office)

2431-1 Ushiyama-cho, Kasugai-shi, Aichi, 486-0901, Japan

Phone: +81-568-33-7861 FAX: +81-568-33-8591

About our sale network, please visit our website.