

DEGSON Push-In Connector Set (40-Pole)  
**User's Manual**

---

[Applicable Models]  
FP7 Series/FP0H Series

(MEMO)

## Introduction

Thank you for purchasing this product. Before you use the product, please carefully read this user's manual and the user's manual of each unit, and understand their contents in detail to use the product properly correctly.

## Safety Precautions

- In order to prevent injuries and accidents, always adhere to the following.
- Always read these installation instructions thoroughly before installing, operating, or carrying out maintenance or inspection, and use the device in the correct way accordingly.
- Ensure you are familiar with all device knowledge, safety information, and other precautions before use.



### CAUTION

Cases where dangerous situations are expected to arise in which the user suffers injury or physical damage occurs due incorrect handling




- In order to prevent the product from overheating or emitting smoke, use the product with some margin for error with respect to the guaranteed characteristics and performance values.
- Do not disassemble or modify the product.  
Doing so could lead to overheating and smoke.
- Do not the electrical terminals while the power is on.  
There is a risk of electrocution.
- Securely connect wires and connectors.  
Poor connections can lead to overheating and smoke.
- Do not perform work (connection, disconnection, etc.) while the power is on.  
There is a risk of electrocution.
- If methods other than those specified by our company are used when operating this product, the protection functions of the unit may be lost.
- This product was developed and manufactured for use in industrial environments.

## Copyright and Trademark-Related Descriptions

- **Panasonic Industry Co., Ltd.** owns the copyright of this manual.
- Unauthorized duplication of this document is strictly prohibited.
- Other company and product names are trademarks or registered trademarks of their respective companies.

## Icons Used in This Manual

In this manual, the following symbols indicate how to comply with safety precautions.

 <b>Info.</b>	Describes supplemental information.
 <b>Note</b>	Describes detailed information related to the part in question and useful things to remember.
 <b>Procedure</b>	Describes the operating procedure.

(MEMO)

# Table of Contents

<b>1 Product Overview .....</b>	<b>1-1</b>
1.1 About This Product .....	1-2
<b>2 Wiring.....</b>	<b>2-1</b>
2.1 Compatible Parts and Dedicated Tools.....	2-2
2.2 Wiring to Connector .....	2-3
2.2.1 Installing onto the Unit .....	2-3
2.2.2 Wiring.....	2-4
2.2.3 Replacing Wires.....	2-5
2.2.4 Removing from the Unit .....	2-8
<b>3 Specifications.....</b>	<b>3-1</b>
3.1 Specifications.....	3-2
3.2 Form and Dimensions.....	3-3

(MEMO)

# 1 Product Overview

---

1.1 About This Product ..... 1-2

## 1.1 About This Product

---

### 1.1 About This Product

This product is a 40-pole push-in type connector manufactured by Ningbo Degson Electronic Co. Ltd. that can be used with the FP7 Series and FP0H Series.

Product name	Model number	Remarks
Push-in connector set (40-pole)	AFP2808	2 pcs.



# 2 Wiring

---

2.1 Compatible Parts and Dedicated Tools .....	2-2
2.2 Wiring to Connector .....	2-3
2.2.1 Installing onto the Unit .....	2-3
2.2.2 Wiring .....	2-4
2.2.3 Replacing Wires .....	2-5
2.2.4 Removing from the Unit .....	2-8

## 2.1 Compatible Parts and Dedicated Tools

---

### 2.1 Compatible Parts and Dedicated Tools

#### Pole terminal with insulating sleeve

Use the following pole terminals.

Manufacturer	Model number	Size	Cross-sectional area
Phoenix Contact Co. Ltd	AI0, 34-8TQ	AWG#22	0.34 mm <sup>2</sup>

#### Dedicated pressure-welding tool for pole terminals

Manufacturer	Model number
Phoenix Contact Co. Ltd	CRIMPFOX 10S

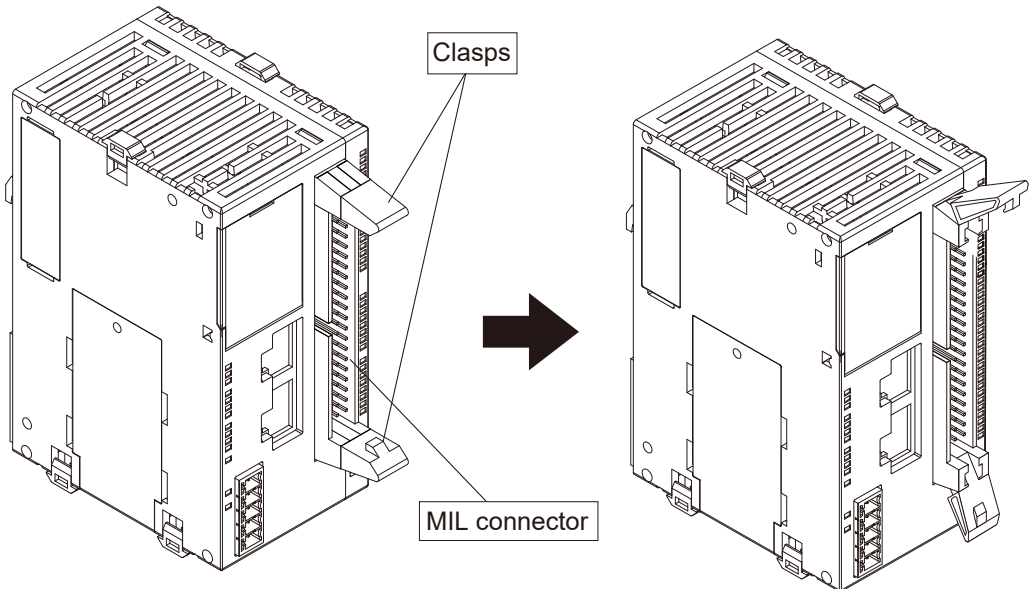
## 2.2 Wiring to Connector

### 2.2.1 Installing onto the Unit

Follow the procedure below to install the product onto the unit.

#### **1 2** Procedure

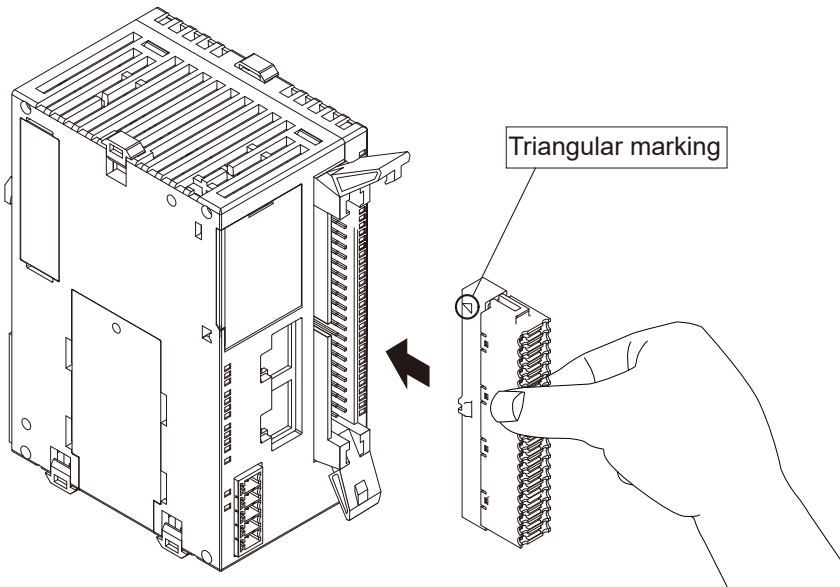
1. Open out the clasps of the MIL connector.



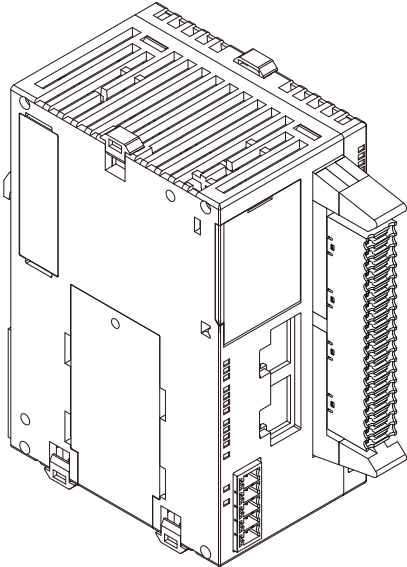
2. Insert the product into the MIL connector. When inserting the product, make sure that the triangular marking is at the top.

## 2.2 Wiring to Connector

---



3. Insert the product until the clasps of the MIL connector close.



### 2.2.2 Wiring

Follow the procedure below when wiring.

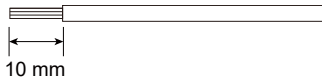
### Note

Wiring precautions

- Do not damage the core when stripping off the covering material.
- Do not apply stress to the wires after wiring.
- Do not solder the core. Soldering the core may cause it to disconnect due to vibration.

### 1 2 Procedure

1. Strip off the covering material from the wire.

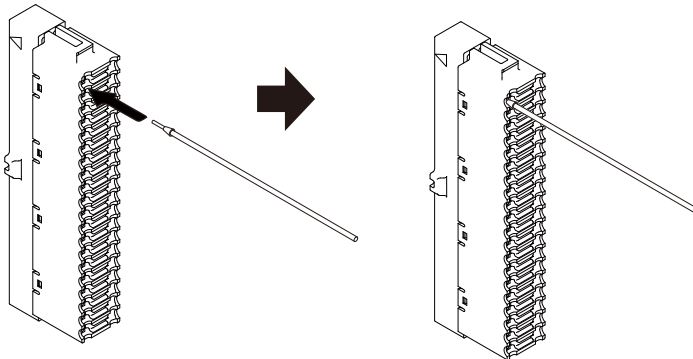


2. Attach the pole terminal to the core part. Do not twist the core when attaching.



3. After attaching the pole terminal, pressure-weld using the dedicated pole terminal pressure-welding tool.

4. After pressure-welding, insert the wire into the product.



### i Info.

After inserting the wire, ensure that the wire does not protrude.

### 2.2.3 Replacing Wires

Follow the procedure below when replacing wires.

### 1 2 Procedure

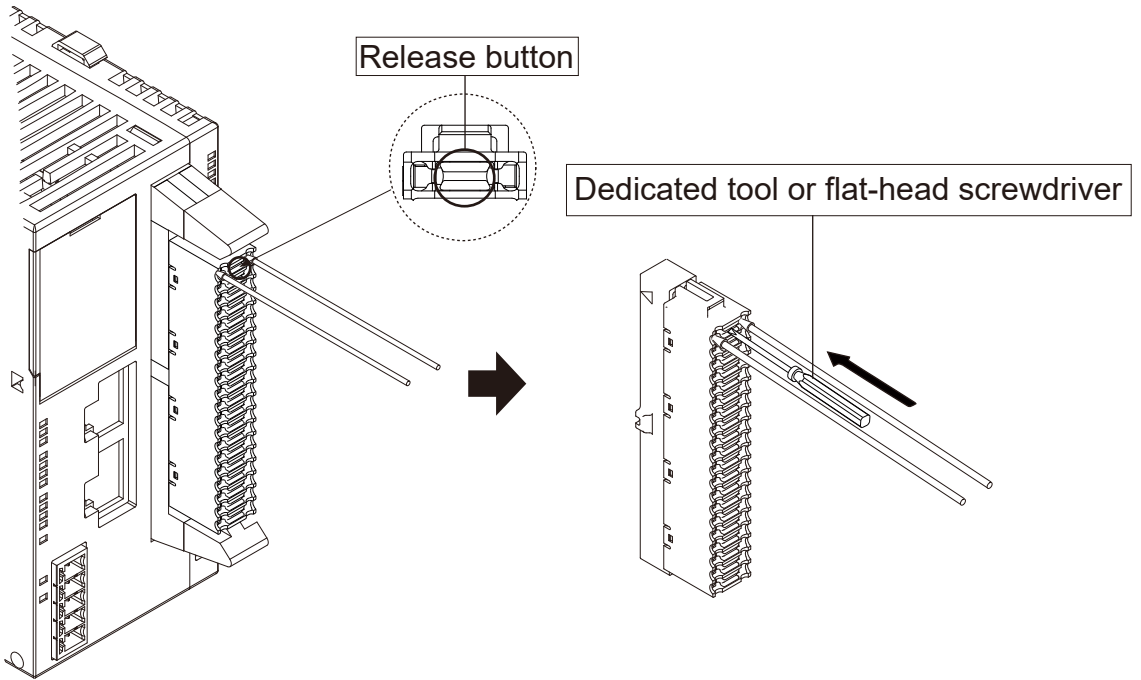
Use the following dedicated tool or an equivalent flat-head screwdriver to remove the wire.

## 2.2 Wiring to Connector

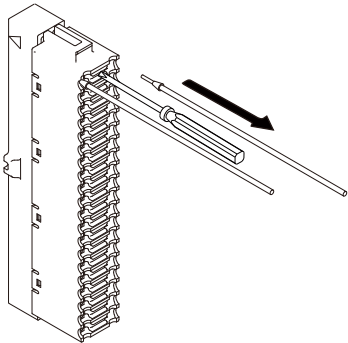
### Dedicated tool

Manufacturer	Model number	Remarks
Phoenix Contact Co. Ltd	SZS 0, 4x2, 5	Blade width 0.4 × Blade thickness 2.5

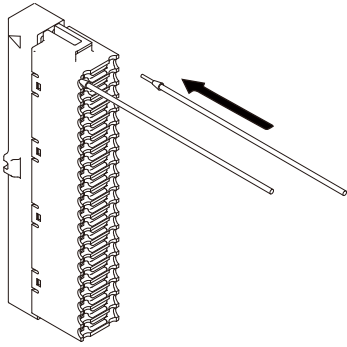
1. Push the dedicated tool or flat-head screwdriver into the release button on the product.



2. Remove the wire while pressing down the button.



3. Insert the new wire. For details on how to insert the wire, refer to "2.2.2 Wiring".



**i Info.**

- Pressing the release button unlocks the wires on both sides of the button. After replacing the wires, ensure that the wires do not protrude.

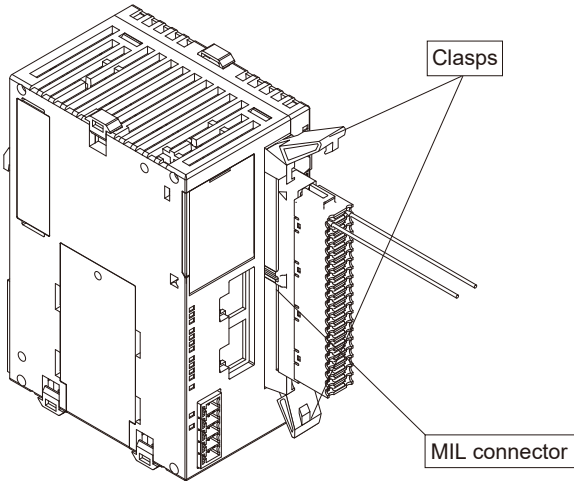
## 2.2 Wiring to Connector

### 2.2.4 Removing from the Unit

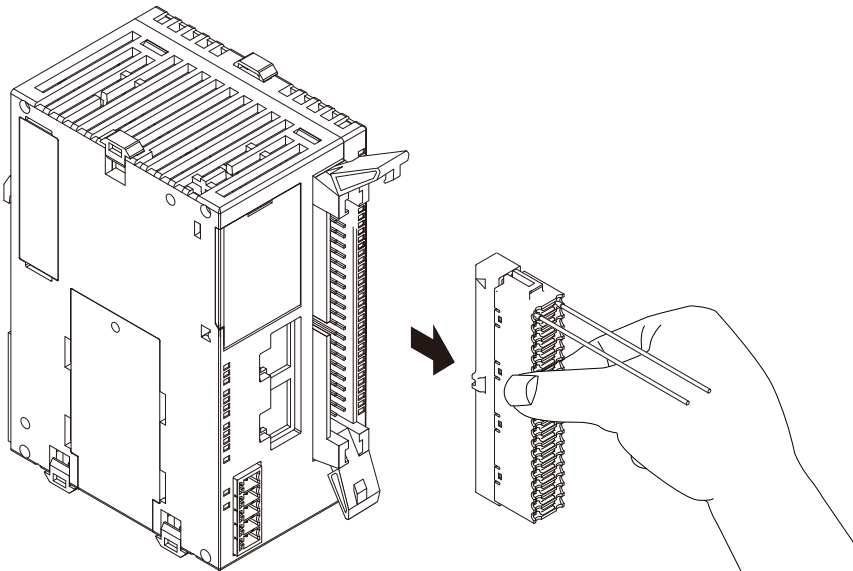
Follow the procedure below to remove the product from the unit.

#### 1 2 Procedure

1. Open out the clasps of the MIL connector.



2. Remove the product from the unit.





# 3 Specifications

---

3.1 Specifications.....	3-2
3.2 Form and Dimensions.....	3-3

## 3.1 Specifications

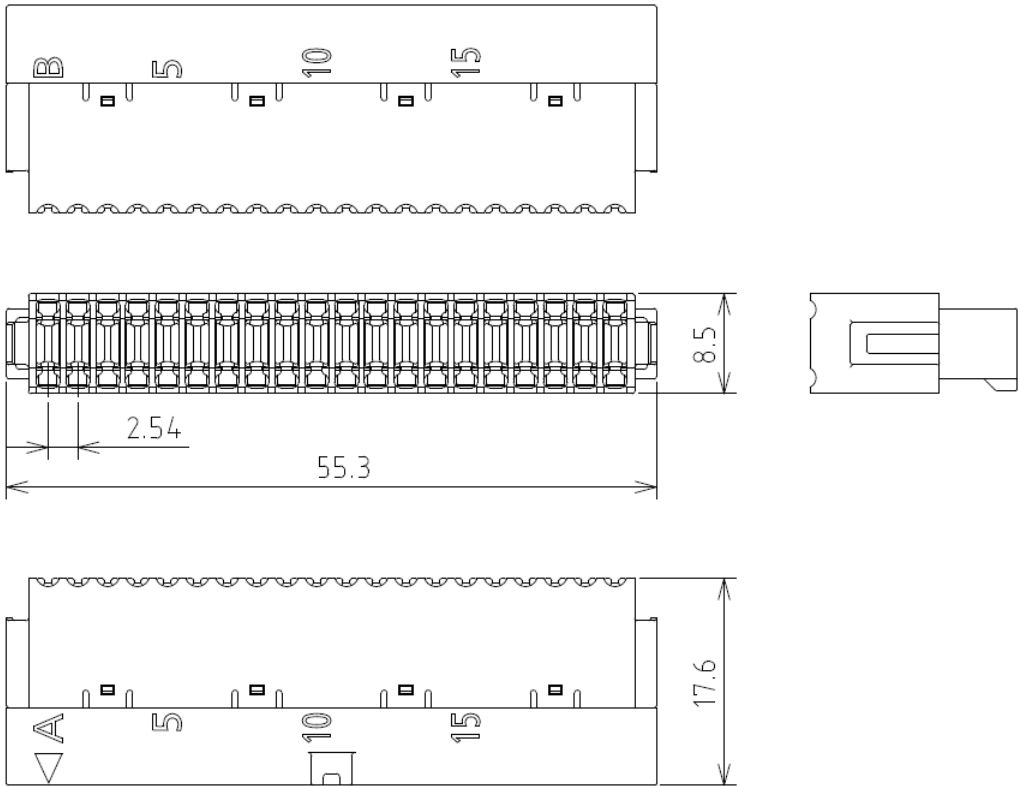
---

### 3.1 Specifications

Item	Specifications
Number of poles	40-pole
Pitch	2.54 mm
Rated voltage	Conforming to the installed unit <sup>(Note 1)</sup>
Rated current	Conforming to the installed unit <sup>(Note 1)</sup>
Insulation resistance	Conforming to the installed unit <sup>(Note 1)</sup>
Contact resistance	Conforming to the installed unit <sup>(Note 1)</sup>
Operating ambient temperature	Conforming to the installed unit <sup>(Note 1)</sup>
Storage ambient temperature	10 to 35 °C
Operating ambient humidity	Conforming to the installed unit <sup>(Note 1)</sup>
Storage ambient humidity	25 to 75 %
Environment	Conforming to the installed unit <sup>(Note 1)</sup>
Altitude	Conforming to the installed unit <sup>(Note 1)</sup>
Pollution degree	Conforming to the installed unit <sup>(Note 1)</sup>

(Note 1) For details on the specifications, refer to the user's manual for each installed unit.

3.2 Form and Dimensions



Unit : mm

(MEMO)

## Record of Changes

The manual number is specified at the bottom of the cover page.

Issue date	Manual number	Description of changes
April 2023	WUME-FPPUSHIN-01	1st Edition
April 2024	WUME-FPPUSHIN-02	2nd Edition <ul style="list-style-type: none"><li>• Change in Corporate name</li></ul>

(MEMO)

(MEMO)

---

## Panasonic Industry Co., Ltd.

1006, Oaza Kadoma, Kadoma-shi, Osaka 571-8506, Japan  
<https://industry.panasonic.com/>

Please visit our website for inquiries and about our sales network.

© Panasonic Industry Co., Ltd. 2023-2024

April, 2024

WUME-FPPUSHIN-02