

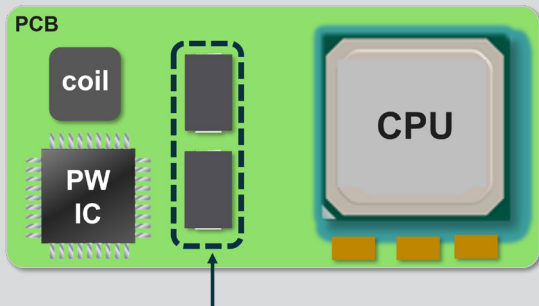
**Choose the right polymer capacitor to enhance your design efficiency at higher temperatures and ensure it is maintenance-free for a longer duration**

**Panasonic SP-Cap High Reliability Series (JX/KX/TX)**

The trends of constant high load applications such as AI servers, switches, routers and base stations are currently putting further demands on passive components to provide long-term endurance and excellent reliability. In response to this trend, Panasonic is providing components that are suitable for applications with constant high loads. The Panasonic SP-Cap JX/KX/TX series is responsible for meeting this need.



**Consumer Application**

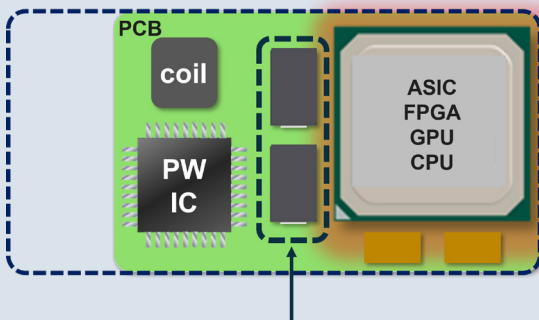


Capacitors guarantee up to 105°C is enough for general case around processors required low power

Standard SP-Cap for power circuit guarantee 105°C

**NEW**

**Infrastructure Application: Constant High Load Application**  
(such as AI servers, switches, routers, Accelerator and base station)



**Application Requirements**

- Processor power rise up
- Small PCB, temperature increasing around processor
- Longer lifetime

High Reliability SP-Cap Capacitors are required  
SP-Cap JX/KX/TX series guarantee 125°C & 135°C

Series	High Reliability Products		
	JX series	KX series	TX series
Endurance spec.	125°C 3,000hours	125°C 5,500hours	135°C 5,500hours
Damp heat spec.	85°C85%RH 1000hours		
Size	7.3 x 4.3 x 1.9 mm		
Voltage / Capacitance	2V/330µF to 6.3V/120µF		
ESR	3 to 15 mΩ		

- For high temperature & long lifetime application
- For application with MLCC X7R/X7S grade
- For moisture proof application required 85°C85%RH damp heat spec

Click here to learn more about our high reliability products:  
<https://industry.panasonic.eu/products/components/capacitors/polymer-capacitors/sp-cap>

